

PSV 60 & 96 watt Dimmable LED driver - Installation Instructions

Models PSV-60-XX, & PSV-96-XX

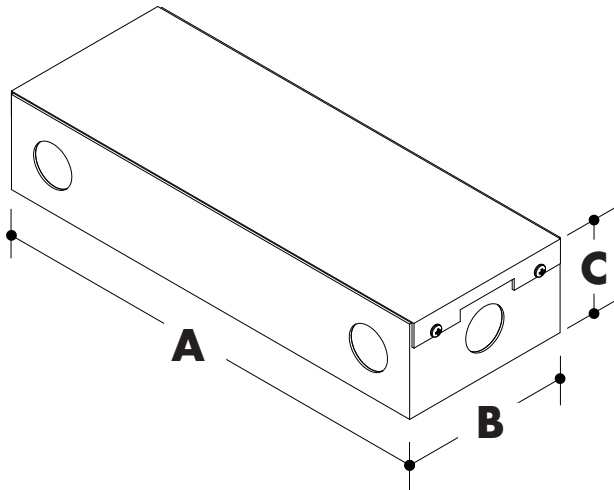


7777 Merrimac Ave
Niles, IL 60714
T 224.333.6033
F 224.757.7557
info@luminii.com
www.luminii.com



Please read all instructions prior to installation and keep for future reference!

This power supply is to be installed in accordance with Article 450 of the National Electrical Code. The power supply must be installed in a well ventilated area and free from explosive gases and vapors. Proper operation requires the free flow of air. As this power supply is hardwired, it should only be installed by a qualified electrician. UL class 2 recognized



MODELS	Dry Models	Wet Models
A . Length	9.2"	9.5"
B . Width	3.4"	4.12"
C . Depth	1.9"	2.3"
Output:		
PSV-60-XX	24VDC, 2.5A, 60W max	24VDC, 2.5A, 60W max
PSV-96-XX	24VDC, 4A, 96W max	24VDC, 4A, 96W max

1 Before installing, check the label and ensure the power supply has the proper input voltage, output voltage, and wattage for the job. Check the wire markings to ensure they match the wiring diagram below. Refer to table above for the maximum loads!

1.1 Power supply can be mounted vertically or horizontally. With a minimum of 2" clearance around power supply to provide proper air circulation.

2

2.1 Remove the four Phillips screws from the sides of the driver housing and pull the cover off to expose the driver wires.

3

3.1 Insert the 90-305 VAC power into the driver housing from the electrical panel. Followed by bringing the 24V DC low voltage wires from the LEDs into the driver housing. Refer to diagram below to make all the proper wiring connections.

PSV 60 & 96 watt Dimmable LED driver - Installation Instructions

Models PSV-60-XX, & PSV-96-XX

Please read all instructions prior to installation and keep for future reference!

This power supply is to be installed in accordance with Article 450 of the National Electrical Code. The power supply must be installed in a well ventilated area and free from explosive gases and vapors. Proper operation requires the free flow of air. As this power supply is hardwired, it should only be installed by a qualified electrician. UL class 2 recognized

