



With high efficiency and universal AC input, the PSV series of class 2 power supplies are suitable for indoor & outdoor applications and ideal for use with LED lighting.

Cooling is achieved by free air convection.

**Input voltage**  
90 to 305 VAC

**Output voltage**  
24VDC

**Safety**  
UL 8750

**Dimming curve**  
Linear (0-10V model)

**Dimming**  
0-10V (non-dimming option available)

**Warranty**  
5 years



## Technical information

**Frequency**  
47-63Hz

**Power factor**  
>0.92

**Efficiency**  
>85%

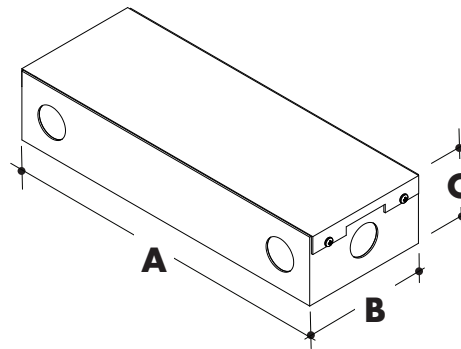
**Load regulation accuracy**  
± 4%, Current accuracy ± 3%

**Start-up delay**  
100ms at worst case

**Ripple & Noise**  
<20% Peak-peak 20MHz Bandwidth

**Energy star**  
No-load power consumption less than the fixed type constant current 0.5W (at 120V input).

**Installation Note**  
For wire connections, use the appropriate UL listed wire connectors. For IP models use IP65 rated connectors.



MODELS	PSV Dry Models	PSV Wet Models
<b>A Length</b>	9.2"	9.5"
<b>B Width</b>	3.4"	4.12"
<b>C Depth</b>	1.9"	2.3"

## Ordering code

MODEL	POWER	OUTPUT	DIMMING	LOCATION
PSV	40	24	U2DIM	D
PSV - PSV Series	40 - 40 W 60 - 60 W 96 - 96 W	24 - 24 VDC	U2DIM - Dimming 0-10V U2ND - Non Dimming	D - Dry Location IP65 - Wet Location