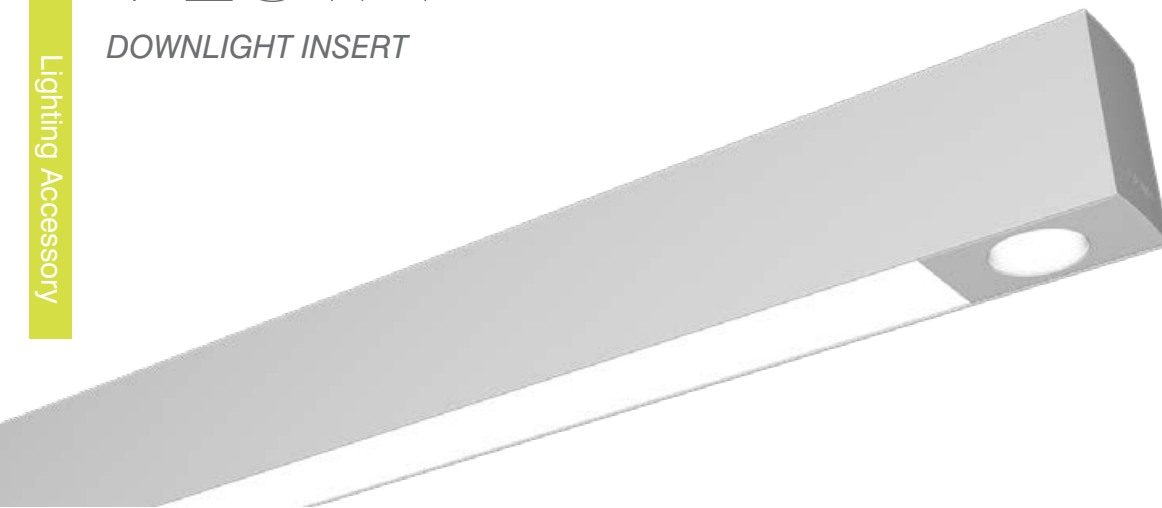


# VESTA

## DOWNLIGHT INSERT



(Shown in Vesta 1)

**Vesta Downlight Inserts** – The Vesta Downlight Insert provides a modular option for adding up to two 700lm downlights to any Vesta model. The modules can be controlled in unison with the linear sections or switched separately enabling fully customizable lighting. The modules come standard at the end of each linear run but customizable designs are available by contacting Senso.

### Ordering Code

370

1

2

3

4

5

6

### Product Specifications

**SAMPLE : 370 - 83 - 615 - 27 - 07 - 01 - ELDOLC**

CRI - 1	Reflector - 2	CCT - 3	Lumen - 4	Finish - 5	Driver - 6
<b>83</b> · 83+	<b>615</b> · 15°	<b>27</b> · 2700K	<b>07</b> · 700 (4.5W)	<b>01</b> · White	<b>STD/LCS</b> · 0 - 10 Volt dim option incl. 1%
<b>98</b> · 98+	<b>640</b> · 40°	<b>30</b> · 3000K	<b>10</b> · 1000 (6.6W)	<b>02</b> · Black	<b>ELDOLC</b> · 0 - 10 Volt Protocol 1%
	<b>640F</b> · 40° Faceted	<b>35</b> · 3500K		<b>08</b> · Silver	<b>ELDODA</b> · Dali Protocol 1%
	<b>660</b> · 60°	<b>40</b> · 4000K		<b>XX</b> · Custom	<b>LUTES</b> · Hilume Ecodigital 1%
					<b>LUT3W</b> · Hilume 3 Wires 1%
					<b>LUT2W</b> · 2 Wire for phase*1 1%
					<b>LUT5S</b> · 5 Series Eco System 5%
					<b>DMX</b> · SENSO

\*1 120V only

### Light Engine

- LED Module :** 700/1000lm Xicato Module
- High Efficacy :** Over 100lm/W
- Colour Options (CCT) :** CCT and CRI matched to your Vesta
- Colour Consistency :** Within 1x2 MacAdam Ellipses

### Installation

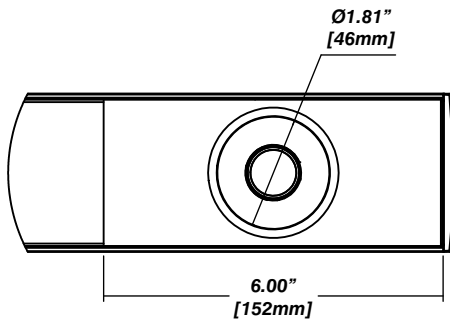
- Pre-installed and pre-wired for easy installation

### Construction

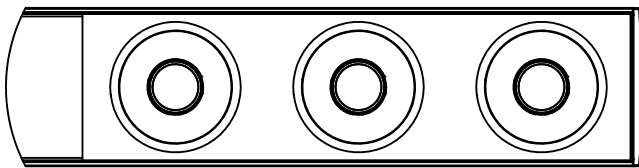
- Machined aluminum construction
- Powder coated to perfectly match the Vesta housing
- Made in Canada

### Dimensions

- Downlight insert will add minimum of 6" to total Vesta length



- Can be configured with multiple downlights



### Configurations

- Some configurations include:

#### Single Insert with Vesta Downlight



#### Multiple Inserts with Vesta Uplight



#### Multiple Inserts with Vesta Downlight

