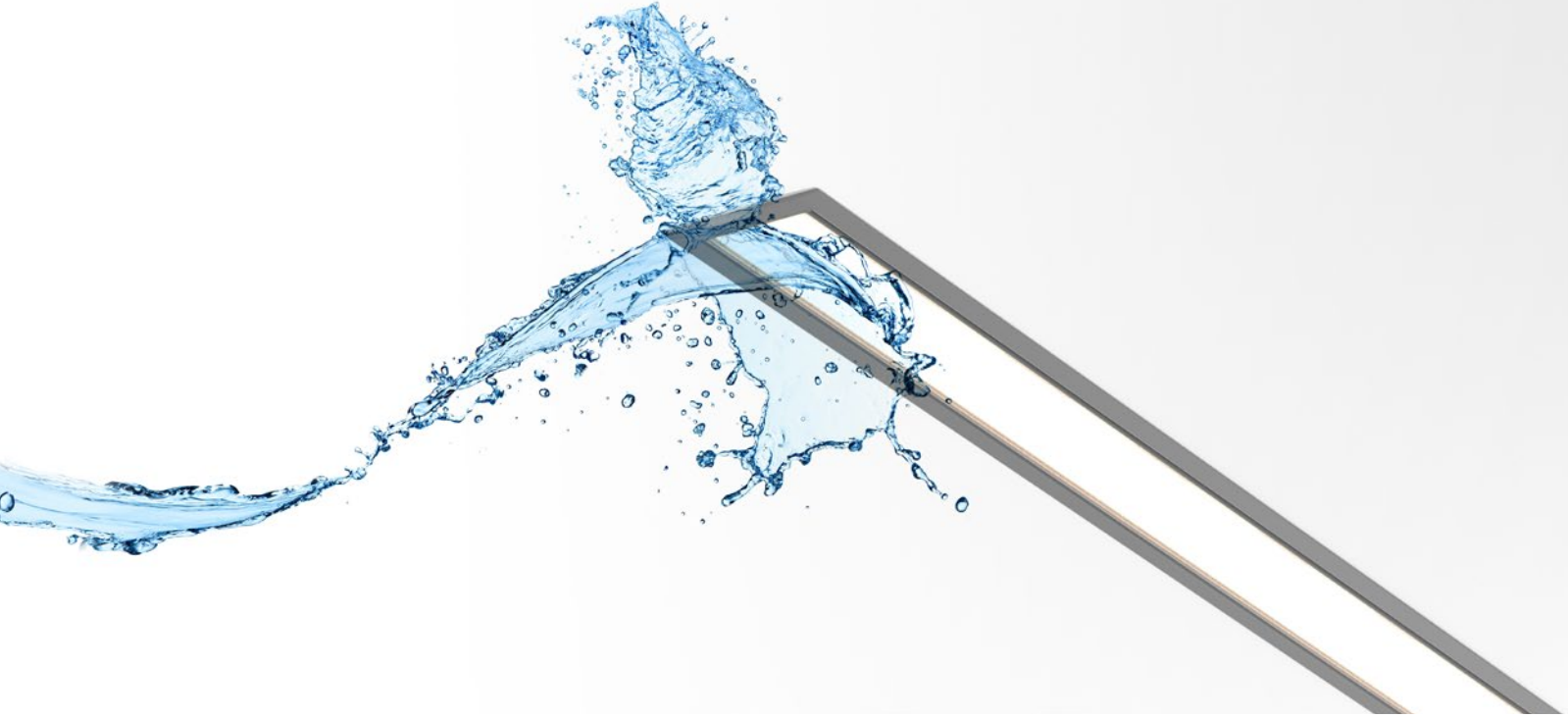


VESTA 2 Wet

COLOR TUNABLE WET RATED RECESSED LINEAR



Vesta 2 Wet - Wet Rated Recessed linear LED. The Vesta 2 Wet offers powerful light in a clean, recessed format. Vesta 2 Wet features a symmetrical, high-performance, wet-rated frosted lens, illuminating the lens surface evenly with no shadows or dark spots. With integrated drivers and controls, this fixture is easy to install and widely applicable.

Ordering Code

Fixture	<input type="text"/>	<input type="text"/>	<input type="text"/>	<input type="text"/>	<input type="text"/>	<input type="text"/>	<input type="text"/>
	1	2	3	4	5	6	7
Driver	<input type="text"/>	<input type="text"/>	<input type="text"/>	<input type="text"/>	<input type="text"/>		
	1	2	3	4	5		

Product Specifications

SAMPLE: Fixture **366 - 90 - 12 - 2765 - 25 - 01 - 04** | Driver **DMX - 120 - DB - 01**

1 - Model	2 - CRI	3 - Length	4 - CCT	5 - Lens	6 - Finish	7 - Direct Lm
366 · Vesta 2 Wet	90 · 90+	2 · 24" 4 · 46.5" 6 · 69" 8 · 91.5"	2765 · 2700K - 6500K	25 · Frosted Wet Rated	01 · White 02 · Black 08 · Silver XX · Custom	04 · 418 lm/ft @ 4000K (4.8W) 06 · 592 lm/ft @ 4000K (7.2W) 08 · 776 lm/ft @ 4000K (9.6W)
1 - Driver	Dim Level	2 - Voltage	3*3 - Mounting	4 - LED Control	5 - Direct Lm	
DALI · Dali Protocol DMX · SENSO CSMB · Casambi Wireless Control	0.1%	120 · 120V 277 · 277V 347 · 347V*2	DB · Drywall Bracket	01 · Standard switching 20 · Emergency wiring 21 · Emergency Battery Back-Up (4 foot section)	Same as Fixture	

*1 120V only
*2 Not available in Eldo, DMX
*3 See page two for more details

Project : _____
Quantity : _____
Type : _____
Notes : _____



VESTA 2 Wet

COLOR TUNABLE WET RATED RECESSED LINEAR

Light Engine

High Efficacy :	Up to 170 lumen/Watt
Color Options (CCT) :	2700K - 6200K
Color Consistency :	3-step MacAdam Ellipse
Color rendering (CRI) :	90+

Vesta 2 Wet features a high-output, high-efficacy light engine - without any compromise. Class-leading efficiency at over 100lm/W keeps running costs low, while 50,000-hour (LM-80) lumen maintenance guarantees a sustainable design. Color rendering options are available up to 90+ CRI, along with color consistency within a three-step MacAdam ellipse. Every Vesta undergoes a multi-step test and burn-in procedure before shipping, ensuring the superior level of quality SENSO is known for.

Dimming Option

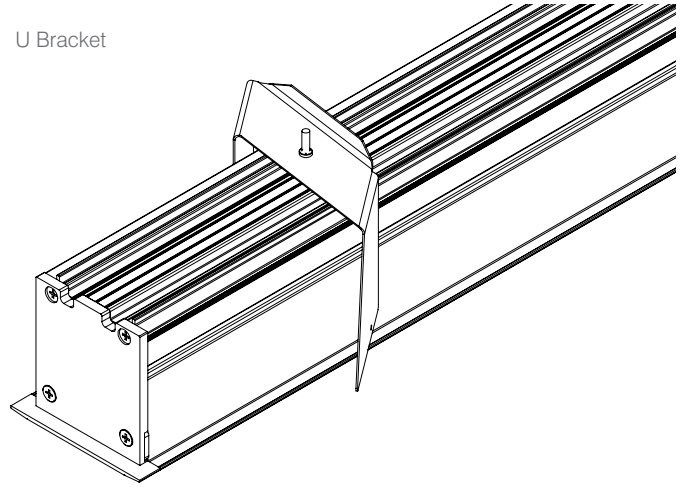
Protocol:	0-10V DALI LUTRON
------------------	-------------------------

Level:	From 0.1% to 10%
---------------	------------------

The Vesta combines high output with limitless possibilities of control. Dimming down to 0.1% is also available in Lutron (120-277V) and Dali systems (120-277V).

Mounting Option

U Bracket



Installation

- Factory assembled for easy and fast installation
- Standard 7/8" knock out provided on top of the fixture

Construction

- Powder coated in white, black or silver
- Custom finish are available
- Housing: Aluminum extrusion
- Made in Canada

VESTA 2 Wet

COLOR TUNABLE WET RATED RECESSED LINEAR



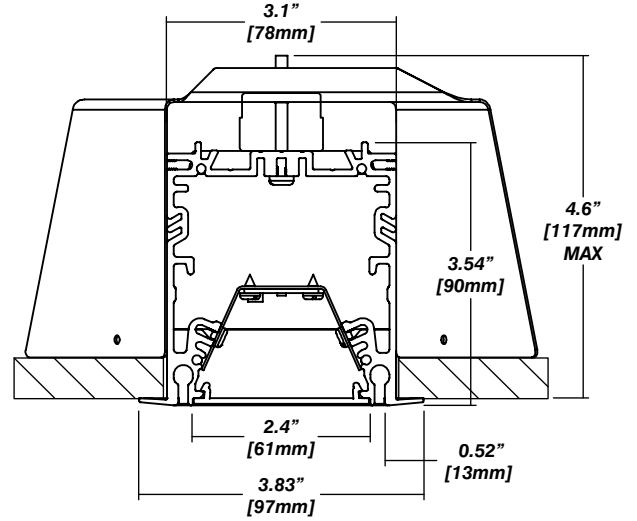
Vesta 2 Wet Cut Lengths

Vesta 2 Wet Rated end cap will add 1.25" (32mm) to total length, 0.62" (15.7mm) per side.

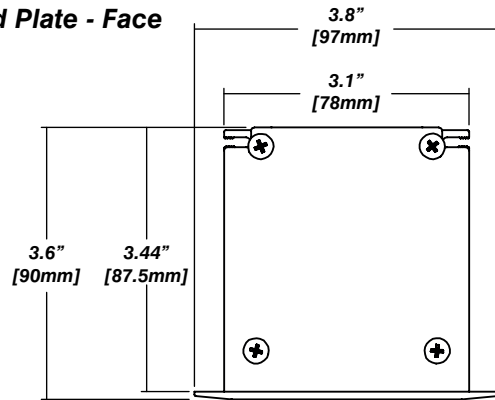
CODE	FIXTURE LENGTH*7	Feet	2	4	6	8	10	12
A	24"							
B (4)	46.5"							
C (6)	69"							
D (8)	91.5"							

Dimensions

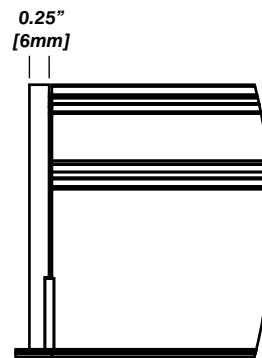
Extrusion



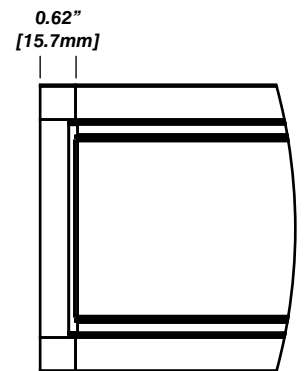
End Plate - Face



End Plate - Side



End Plate - Bottom



Photometrics

SENSO's in-house photometric testing ensures that our lighting design can match your needs precisely. Our Goniophotometer and testing lab produces on-demand photometry files based on any specified fixture, including LM-79 Test reports, IES Files, and CRI/CCT measurements. See sensolighting.com for more information.

*Full photometric Reports and IES files available for every configuration

Zonal Lumen Summary

Zone	Lumens	%Fixt
0-20	528.37	15.50
0-30	1085.53	31.90
0-40	1709.34	50.30
0-60	2806.23	82.60
0-80	3352.15	98.60
0-90	3398.12	100.00
10-90	3258.52	95.90
20-40	1180.97	34.70
20-50	1777.92	52.30
40-70	1453.16	42.80
60-80	545.92	16.10
70-80	189.65	5.60
80-90	45.97	1.40
90-110	0.56	0.00
90-120	0.57	0.00
90-130	0.57	0.00
90-150	0.57	0.00
90-180	0.57	0.00
110-180	0.01	0.00
0-180	3398.69	100.00

Luminance DATA (cd/sq.m)

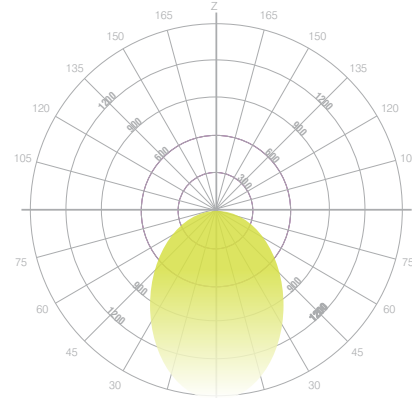
Angle in °	Average 0°	Average 45°	Average 90°
45	1633	17494	18653
55	14387	15594	16807
65	12589	13662	14754
75	10484	11188	11811
85	7096	6899	6301

IES Indoor Report Coefficients of utilization - zonal cavity method

Effective Floor Cavity Reflectance 0.20

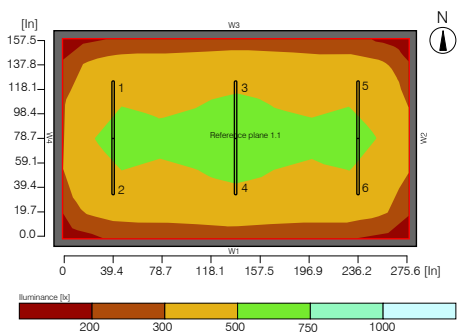
RC	80				70				50				30				10				0
RW	70	50	30	10	70	50	30	10	50	30	10	50	30	10	50	30	10	50	30	10	0
0	119	119	119	119	116	116	116	116	111	111	111	106	106	106	102	102	102	100	100	100	100
1	109	105	101	97	107	103	99	96	99	96	93	95	92	90	91	89	87	85	85	85	85
2	100	92	86	80	98	90	85	80	87	82	78	84	80	76	81	77	74	72	72	72	72
3	92	82	74	68	89	80	73	67	77	71	66	74	69	65	72	68	64	62	62	62	62
4	84	73	64	58	82	72	64	58	69	62	57	67	61	56	65	60	55	53	53	53	53
5	78	66	57	51	76	64	56	50	62	55	50	60	54	49	59	53	49	47	47	47	47
6	72	59	51	44	70	58	50	44	57	49	44	55	48	44	53	48	43	41	41	41	41
7	67	54	46	40	65	53	45	39	52	44	39	50	44	39	49	43	39	37	37	37	37
8	63	49	41	36	61	49	41	35	47	40	35	46	40	35	45	39	35	33	33	33	33
9	59	46	38	32	57	45	37	32	44	37	32	43	36	32	42	36	32	30	30	30	30
10	55	42	34	29	54	42	34	29	41	34	29	40	33	29	39	33	29	27	27	27	27

Vesta Light Distribution



- Fixture: Vesta 48" [121.92 cm]
- Total Lumen Output: 3399 lm
- Wattage: 45 W
- Lumen per Watt: 75

Vesta Performance Example



- Calculation algorithm used Average indirect fraction
- Height of luminaire plane 118.11" [3.00 m]
- Maintenance factor 31.5" [0.80 m]
- Total luminous flux of all lamps 20358 lm
- Total power 270.0 W
- Total power per area (28.00 m²) 9.64 W/m² (2.26 W/m²/100lx)

Color Metrics

TM 30-15

Our clients deserve the best information possible about their lighting choices. That's why SENSO has invested in the Illuminating Engineering Society (IES) TM 30-15, a new system that measures an LED light source's color rendering properties. Using SENSO's state-of-the-art goniophotometer, this method identifies the optimal light source for your project and helps evaluate the trade-offs between efficacy and color rendering. SENSO can provide TM 30-15 data for all of our products.

*Full Color Metric Info Available at sensolighting.com