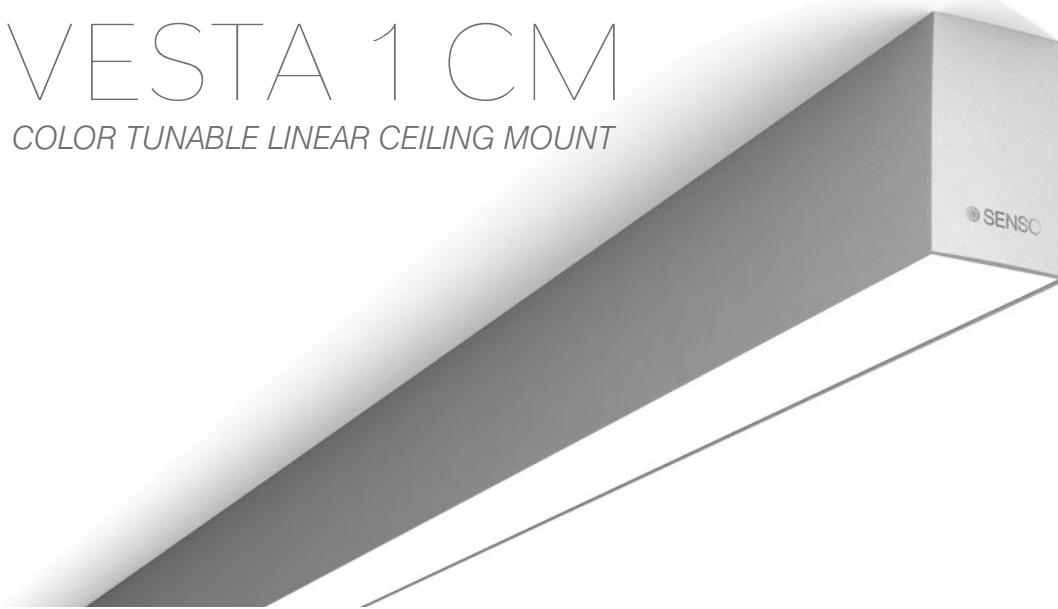


VESTA 1 CM

COLOR TUNABLE LINEAR CEILING MOUNT



Vesta 1 CM - Ceiling mounted linear LED lighting system. The Vesta 1 CM luminaire offers both performance and aesthetics, with all the features of the Vesta series. A unique SENSO design, the subtly flared Vesta 1 CM features high-performance frosted lens, illuminating the lens surface evenly with no shadows or dark spots. With integrated drivers and controls, this fixture is easy to install and widely applicable.

Full-length seamless lenses range from 4 to 12 feet. Available in L-, T- and X-shaped nodes, the Vesta 1 system can readily adapt to any configuration.

Ordering Code

Fixture	<input type="text"/>	<input type="text"/>	<input type="text"/>	<input type="text"/>	<input type="text"/>	<input type="text"/>	<input type="text"/>
	1	2	3	4	5	6	7
Driver	<input type="text"/>	<input type="text"/>	<input type="text"/>	<input type="text"/>			
	1	2	3	4			

Product Specifications

SAMPLE: Fixture **365 - 90 - 12 - 2765 - 25 - 01 - 04** | Driver **DMX - 120 - 01 - 04**

1 - Model	2 - CRI	3 - Length	4 - CCT	5 - Lens	6 - Finish
365 · Direct	90 · 90+	2 · 22.75" 4 · 44.75" ^{**3} 6 · 66.75" ^{**3} 8 · 88.75" 10 · 110.75" 12 · 132.75" A-T · More Lengths ^{*1} XX · System ^{*2}	2765 · 2700K - 6500K	25 · Frosted Symmetric	01 · White 02 · Black 08 · Silver XX · Custom
7 - Lumen	1 - Driver	Dim Level	2 - Voltage	3 - LED Control	4 - Direct Lm
04 · 418 lm/ft @ 4000K (4.8W) 06 · 592 lm/ft @ 4000K (7.2W) 08 · 776 lm/ft @ 4000K (9.6W)	DALI · Dali Protocol DMX · SENSO CSMB · Casambi Wireless Control	0.1%	120 · 120V 277 · 277V	01 · Standard switching 21 · Emergency Battery Back-Up (4 foot section)	Same as Fixture

*1 See page four for more detailed lengths
 *2 See page two for more details
 *3 **21 - Emergency Battery Back-up** not available

Project : _____
 Quantity : _____
 Type : _____
 Notes : _____



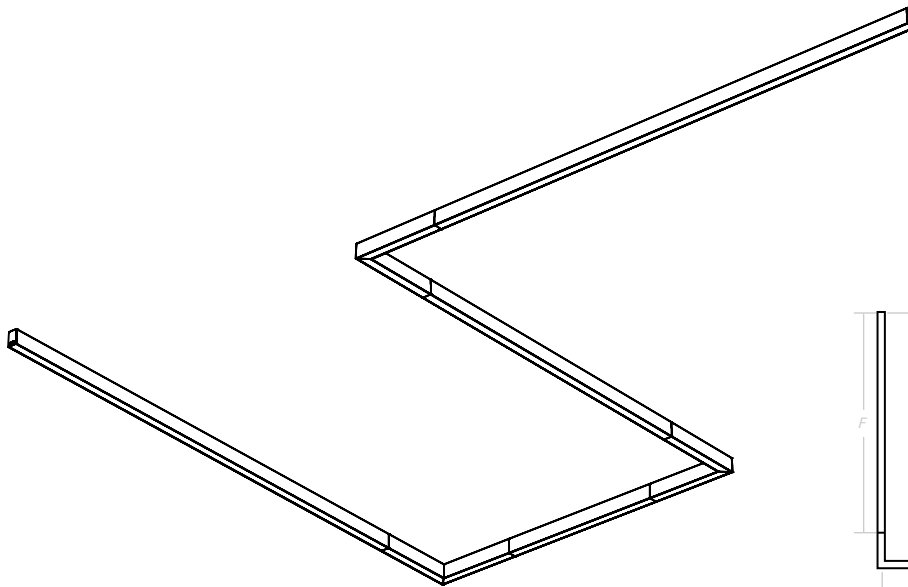
VESTA 1 CM

COLOR TUNABLE LINEAR CEILING MOUNT

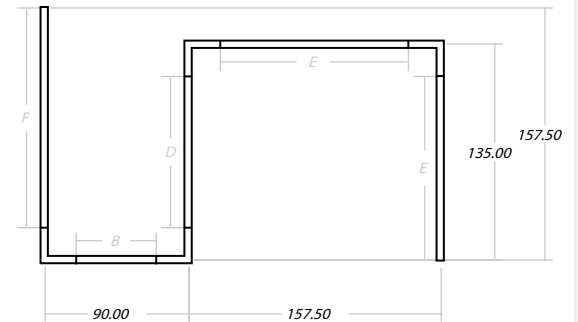


Continuous Layout Using Corners Only

The Vesta 1 system is not limited to straight runs. Available L nodes, used in association with linear sections, provide freedom to create seamless configurations. Linear sections are available in 22.5inch increment.



Example Of Layout



How To Specify

1. Draw your layout, as seen from bottom, considering:
 - Drawings are made using center axis as reference
 - Minimum 45inch between contiguous corners
 - 22.5inch increment
2. Provide the following information
 - Total number of corners
 - Total length
 - Drawing

Using example:

corners = 3

Total length = $157.5 + 90 + 135 + 157.5 = 540$ inch

Extra Information

Suspension points

- Suspension point at end always 2.75inch from end ,excluding cap
- There is always a suspension point at corner
- For a general guideline of the number of suspension points for each straight section, refer to p.5

Feed point

- Defined by the number of drivers required. Refer to p.4 for an approximation of the number of feed required. Use the total length of your system, and use the corresponding number, depending if it's direct, direct-indirect standard switching or direct-indirect separate switching.

Advanced Intersecting System Using T & X Nodes

For advanced configurations, contact the SENSO factory to complete your system.



VESTA 1 CM

COLOR TUNABLE LINEAR CEILING MOUNT

Light Engine

High Efficacy :	Up to 170 lumen/Watt
Color Options (CCT) :	2700K - 6200K
Color Consistency :	3-step MacAdam Ellipse
Color Rendering (CRI) :	90+
Lumen Maintenance :	50,000 hours

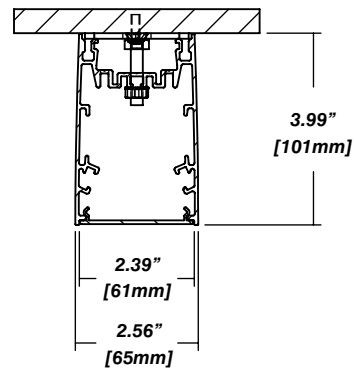
Installation

- Factory assembled for easy and fast installation
- Ceiling mounted with mounting plates
- Mounting screw and anchor supply by electrician

Construction

- Powder coated in white, black or silver
- Custom finish are available
- Housing: Aluminum extrusion
- Made in Canada

Dimensions



VESTA 1 CM

COLOR TUNABLE LINEAR CEILING MOUNT



Vesta Color Tuning Lengths

