



5" Linear Downlight shown with Louver

Linear Downlight Features

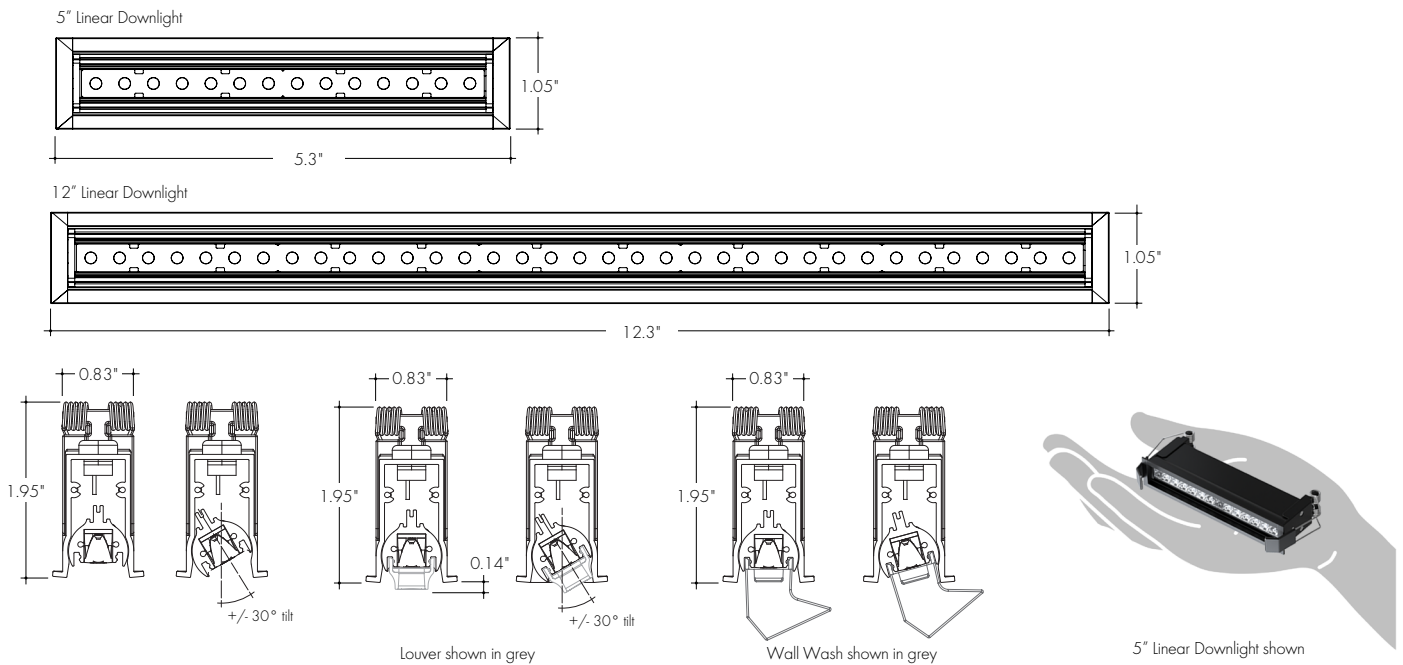
- Flawless beam quality from a unique micro-linear form factor
- Narrow 15° TIR native beam is aimable +/- 30°
- Louvers available for 15°, 30°, and 60° beams
- Snap-on optics available to easily adjust beam angle in the field
- Available in three sizes and outputs, four CCTs
- Dynamic White range 1800K to 3500K
- For 1/2" to 2" ceiling thickness
- 24VDC Class 2
- L90 > 50K hours
- Wall Wash optic provides even illumination starting from the top of the wall to the bottom
- Wall Wash recommended spacing is 2ft from the wall and 2ft on-center
- Fixture is IC rated and does not require a housing or pan

Finish Options

Black Painted White Painted



Profile Dimensions



Technical Information

TYPE				
OUTPUT OPTIONS (15° Optic)	5	5-WW	12	12-WW
Lumen Output (all channels full on)	442 lm	222 lm	1072 lm	472 lm
Power Consumption	5.4 W		13.0 W	
Efficacy (lm/W)	82 lm/W	41 lm/W	82 lm/W	36 lm/w
Center Beam Intensity (candela)	2680 cd	N/A	6919 cd	N/A

CCT	TM-30			
	CRI	R _f	R _g	R ₉
1800K	95	93	99	83
3500K	94	92	99	63

Ordering Code | Linear Downlight

MODEL	LENGTH	CCT	OUTPUT	OPTIC	FINISH
SD-Stenos Linear Downlight	5-5.3" 12-12.3"	18K35K-1800K 3500K	DWSO-Dynamic White Standard	15-15° Optic LV15-15° Louver ^{1,2} LV30-30° Optic and Louver ² LV60-60° Optic and Louver ² WW-Wall Wash Optic ³ LU-15° Bullseye Louver ⁴ EL-15°x 45° Elliptical Lens ⁵	BK-Black WH-White

1 - LV15° louver reduce glare while maintaining 90% of CBCP when compared to standard 15° optic.
2 - Use a 0.6 multiplier for lumen output
3 - Wall Wash Optic does not meet Title 24 JAB8 efficacy requirements with Dynamic White. Only available in BK Black
4 - LU Bullseye Louver reduces glare while maintaining 75% of CBCP. Use a 0.35 multiplier for lumen output. Only available in BK Black.
5 - Use a 0.85 multiplier for lumen output with EL Elliptical Lens. Only available in BK Black.

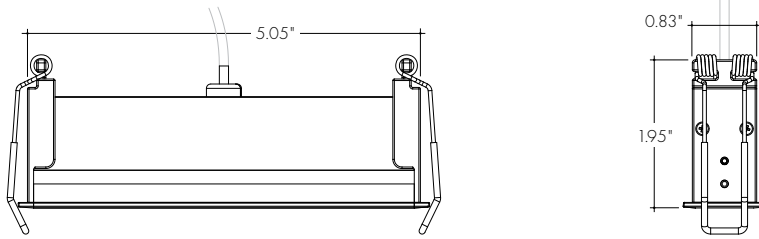
Ordering Code | Linear Downlight Accessories

MODEL	ACCESSORY	SIZE	FINISH
SAC-Stenos Accessory	LV15-15° Louver LV30-30° Optic and Louver LV60-60° Optic and Louver WW-Wall Wash Optic ¹ LU-15° Bullseye Louver ¹ EL-15°x 45° Elliptical Lens ¹	5-5.3" linear Downlight 12-12.3" linear Downlight	BK-Black WH-White

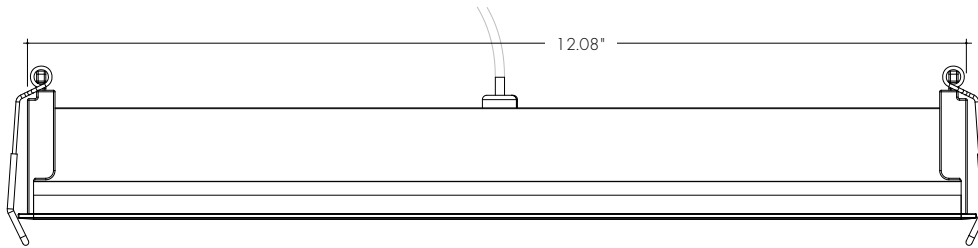
1 - WW Wall Wash Optic, LU Bullseye Louver, and EL Elliptical lens only available in BK Black.

Linear Downlight Dimensions

SD-5



SD-12



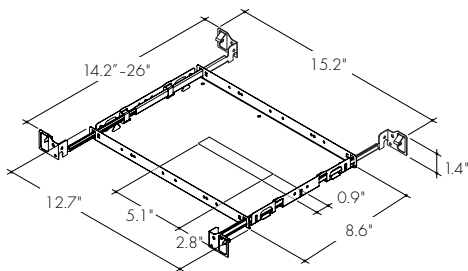
Installation Methods

Plaster Frame Bar Hanger Plate

- Galvanized steel construction with cut-out
- Hanger Bars included with PF, extendable from 14.2" to 26.0"
- RMP-12-TR trays can only be installed parallel to the ceiling joists

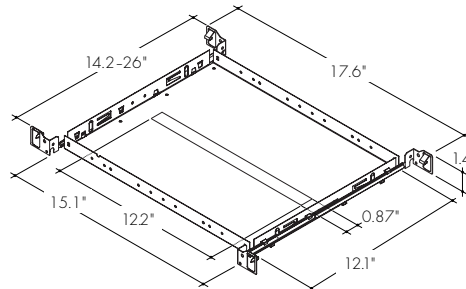
RMP-5-TR

New Construction Pan/Plaster Frame, 5"



RMP-12-TR

New Construction Pan/Plaster Frame, 12"

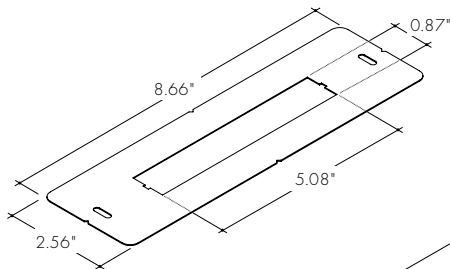


Remodel Install Plates

- Precision cutout to aid remodel installation

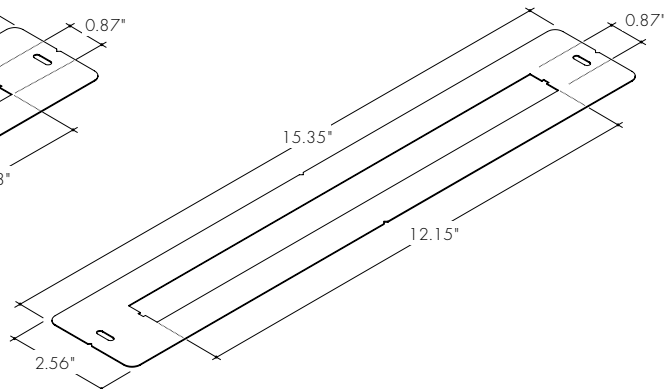
IP-SD-5

Remodel Cut-Out Template, 5"



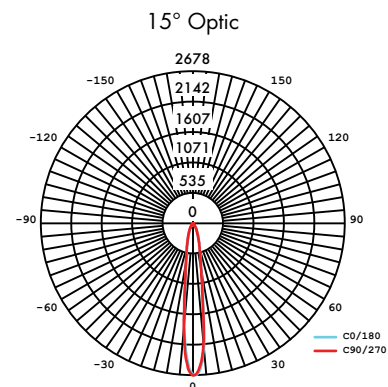
IP-SD-12

Remodel Cut-Out Template, 12"



Photometry

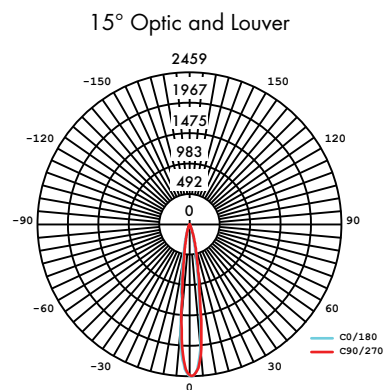
SD-5-30K-SO-15-BK/WH



SD-5-30K-SO-LV15-BK/WH



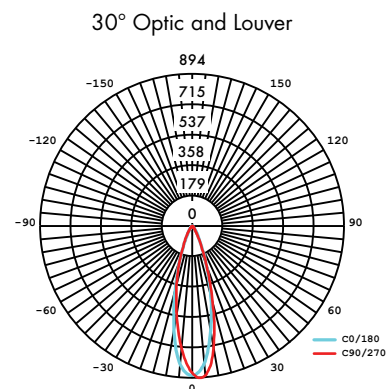
SAC-LV15-5-BK/WH



SD-5-30K-SO-LV30-BK/WH



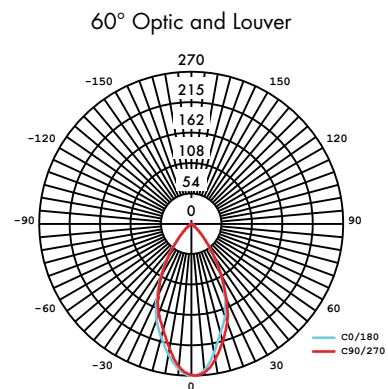
SAC-LV30-5-BK/WH



SD-5-30K-SO-LV60-BK/WH



SAC-LV60-5-BK/WH



Photometry

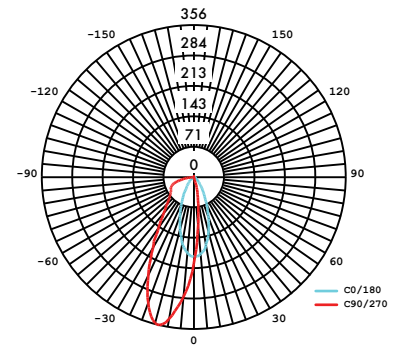
SD-5-30K-SO-WW-BK



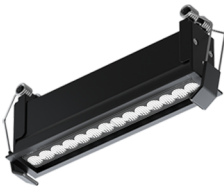
SAC-WW-5-BK



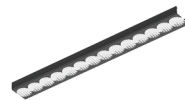
5" Wall Wash



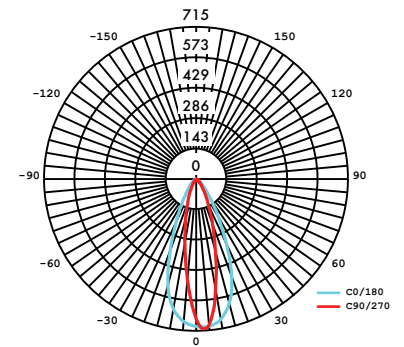
SD-5-30K-SO-EL-BK



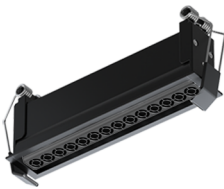
SAC-EL-5-BK



5" Elliptical Lens



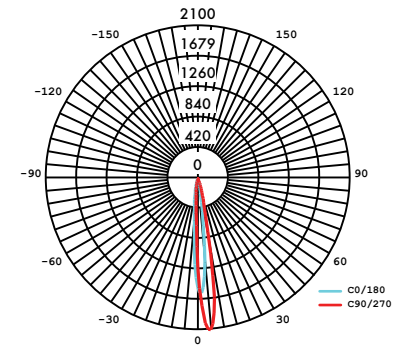
SD-5-30K-SO-LU-BK



SAC-LU-5-BK

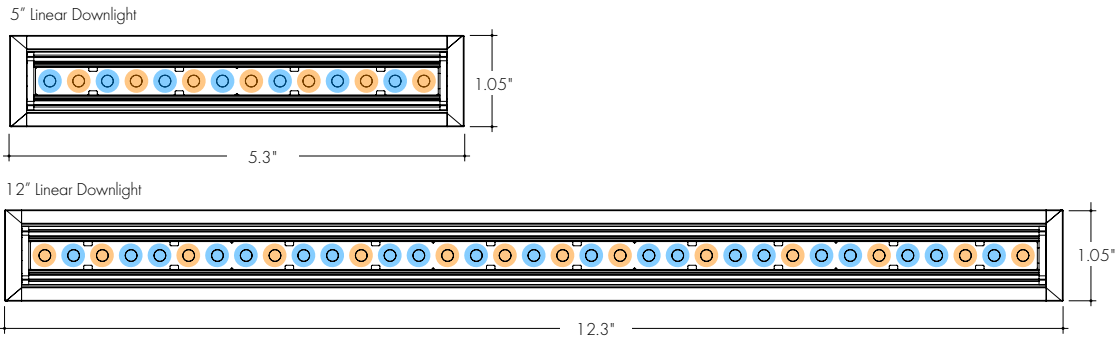


5" Bullseye Louver



Warm White (orange), Cool White (blue), colors exaggerated for clarity

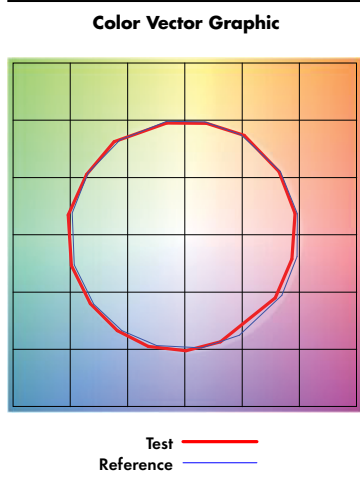
LED Arrangement



Warm White (orange), Cool White (blue), colors exaggerated for clarity

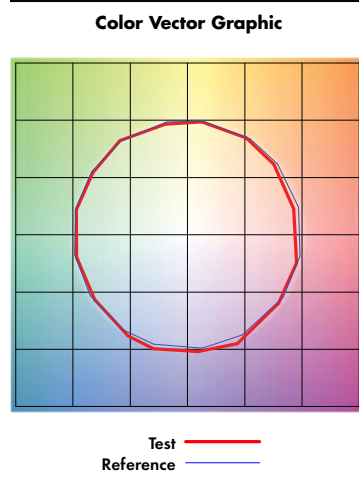
TM-30-15-Data

18K CCT



Graphic Shifts (%)			
Hue Bin	Rf	Chroma	Hue
1	94.8	-1.8%	0.7%
2	95.7	-0.8%	0.8%
3	94.5	1.2%	-2.4%
4	95.9	-1.1%	-1.8%
5	95.7	-1.4%	0.3%
6	93	1.6%	5.0%
7	97.2	0.3%	1.6%
8	93.7	3.0%	2.2%
9	95.1	2.4%	0.0%
10	94.2	2.2%	-2.0%
11	93	2.3%	-3.4%
12	88.1	2.1%	-7.1%
13	83.2	-0.1%	-13.9%
14	83	-4.5%	-16.9%
15	90.6	-3.6%	-4.9%
16	90.9	-4.0%	-3.0%

35K CCT



Graphic Shifts (%)			
Hue Bin	Rf	Chroma	Hue
1	90.9	-4.5%	-0.4%
2	93.4	-2.7%	1.7%
3	92.4	-1.2%	3.2%
4	95.7	-0.9%	1.2%
5	94.8	-1.6%	1.4%
6	96.9	1.0%	0.4%
7	95.8	-1.5%	-0.3%
8	97.3	-0.6%	0.9%
9	94.9	-1.4%	2.5%
10	91.4	-1.3%	4.7%
11	89.2	2.3%	5.9%
12	90.0	4.0%	0.7%
13	92.5	2.2%	-4.2%
14	88.2	3.6%	-7.8%
15	89.0	-0.5%	-6.6%
16	87.4	-1.6%	-6.6%

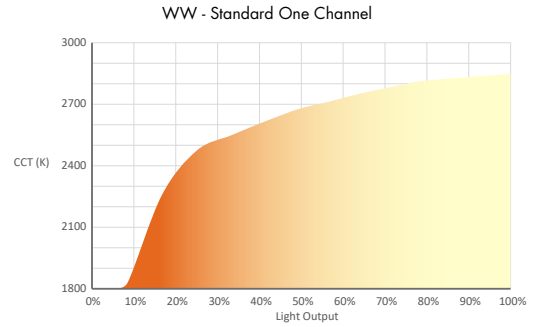
Power Supplies

See fixture and power supply instructions & spec sheet for wiring information. Dimming possible in select models - view Luminii website for list of compatible dimmers.

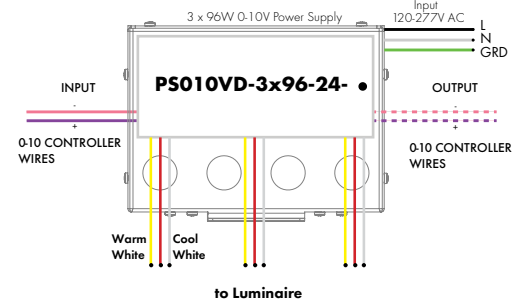
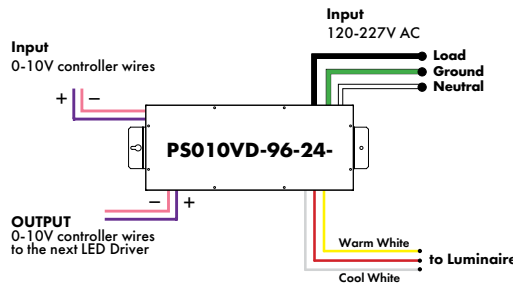
Customizable Dim to Warm or Variable White via 0 - 10V
(for tunable white or warm dimming control of Dynamic option)

MODEL	POWER	OUTPUT	CONTROL
PS010VD-0-10V Vintage Dim LED Driver	96-96 Watt 3X96-3 X 96 Watt	24-24 VDC	WW- Standard One Channel - Dim To Warm Curve W2C- Standard Two Channel - Dim 1: Intensity; Dim 2: CCT *W2I- Standard Two Channel - Dim 1: Warm Channel Intensity; Dim 2: Cool Channel Intensity *W1X- Custom One Channel - Dim To Warm Curve *W2X- Custom two Channel - Dim 1: Intensity; Dim 2: CCT

Requires a 0-10V controller to work properly
*For 96 only, not an option for 3X96.



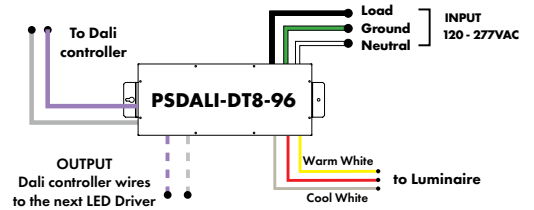
MODELS	96W	3X96
Length	14.40"	15.00"
Width	5.20"	6.61"
Depth	2.60"	4.56"



DALI DT8 LED Driver 120-277V

MODEL	POWER	OUTPUT
PSDALI-DT8-DALI-DT* LED Driver	96-96 Watt	24-24 VDC

MODELS	96W
Length	14.40"
Width	5.20"
Depth	2.60"



DMX 0% Dimming Power Supplies 120VAC - 277VAC

MODEL	POWER	OUTPUT
PSDMX-DMX Power Supply dims down to 0%	96 - 96 Watt 3X96 - 3 X 96 Watt	24-24 VDC

Features eldoLED's LINEARdrive configurable dimmable drivers.

MODELS	96W	3X96
Length	14.40"	15.75"
Width	5.20"	6.62"
Depth	2.60"	4.95"

