

Stenos Installation Instructions

Stenos 1" Trimless Square

Please read all instructions prior to installation and keep for future reference!

1. PRODUCT TO BE INSTALLED BY A QUALIFIED ELECTRICIAN
2. USE ONLY WITH CLASS 2 POWER UNIT
3. 24 VOLTS DC
4. SUITABLE FOR WET LOCATIONS (COVERED CEILINGS ONLY)
5. TYPE IC (CEILING AND WALL) INHERENTLY PROTECTED
6. FOR CANADA, VAPOR BARRIER MUST BE SUITABLE FOR 90° C

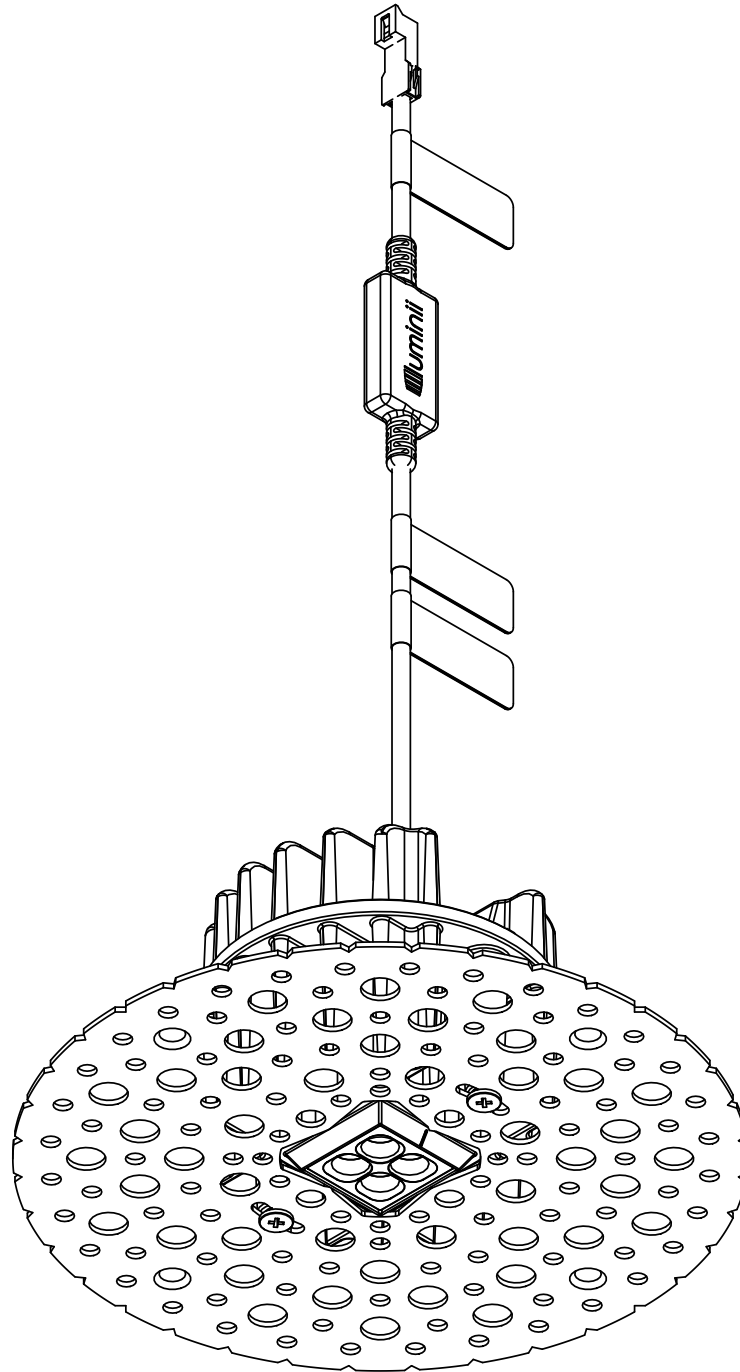


REV 0.7
11152023

1 / 4



7777 Merrimac Ave
Niles, IL 60714
T 224.333.6033
F 224.757.7557
info@luminii.com
www.luminii.com



Stenos Installation Instructions

Stenos 1" Trimless Square



7777 Merrimac Ave
Niles, IL 60714
T 224.333.6033
F 224.757.7557
info@luminii.com
www.luminii.com

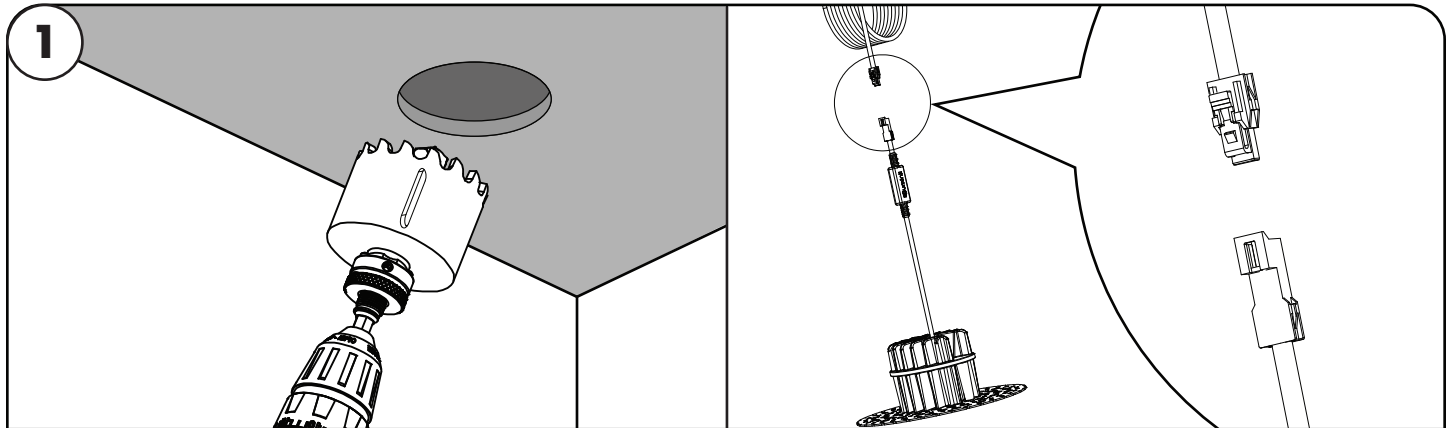
REV 0.7
11152023

2 / 4

Please read all instructions prior to installation and keep for future reference!

1. PRODUCT TO BE INSTALLED BY A QUALIFIED ELECTRICIAN
2. USE ONLY WITH CLASS 2 POWER UNIT
3. 24 VOLTS DC
4. SUITABLE FOR WET LOCATIONS (COVERED CEILINGS ONLY)
5. TYPE IC (CEILING AND WALL) INHERENTLY PROTECTED
6. FOR CANADA, VAPOR BARRIER MUST BE SUITABLE FOR 90° C

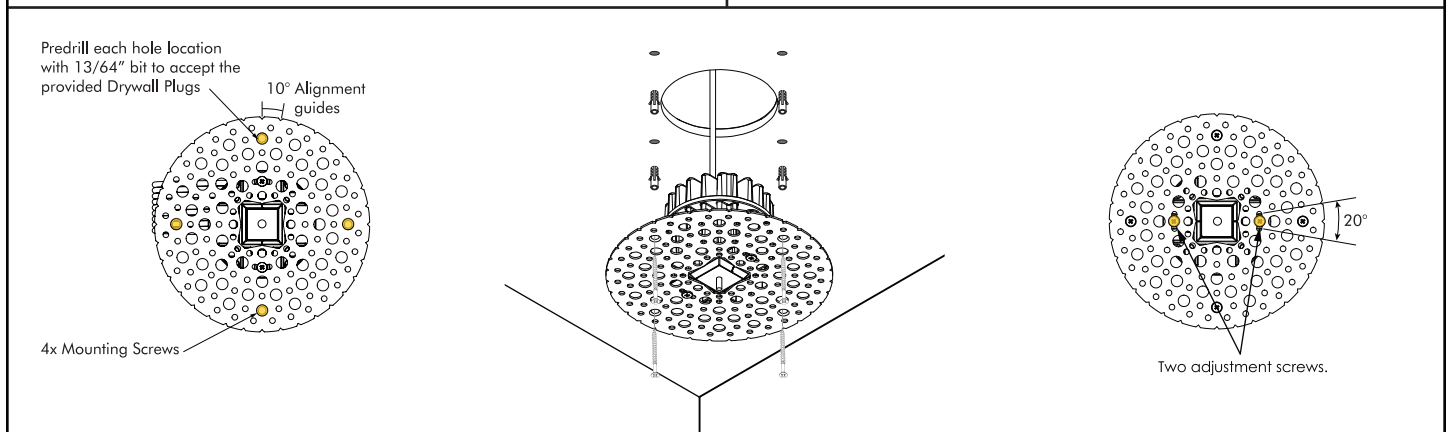
Mounting Method 1: Remodel Install



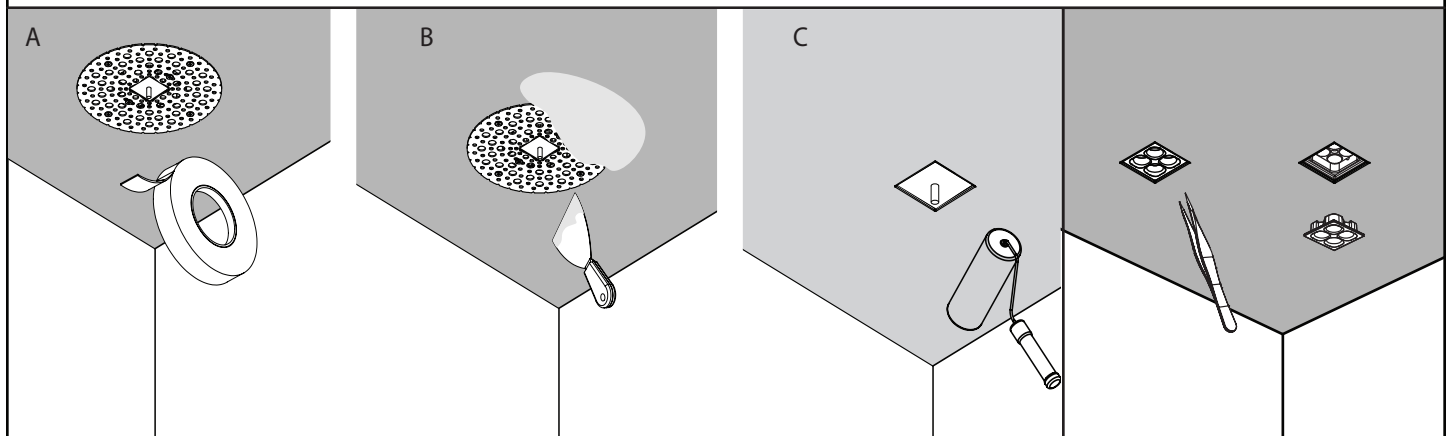
1

1.1 Using a 3" hole saw, drill location desired for fixture.

1.2 Fish your DC feed from Power Supply. Connect the 2x2 fixture to the power leads using the 72" whip/Molex connector supplied with fixture. **DO NOT CUT OFF RECTANGULAR DRIVER**



1.3 Predrill hole locations and fasten fixture using provided hardware to suit installation scenario. Use drywall plug and screws x4. If fixture requires some fine tuning for rotation, use the two adjustment screws to align to desired location. Tighten screws to lock fixture in desired location.



1.4 A - Ensure fixture aperture mud plug is in place and tape perimeter.
B - First coating of fast curing compound, sand when dry. Then finish pass with drywall compound, sand when dry.
C - Paint then remove mud plug.

1.5 Remove and discard Mud Plug, use provided soft tipped tweezers to install magnetically attached Louver or snap in Regressed Baffle

Stenos Installation Instructions

Stenos 1" Trimless Square



7777 Merrimac Ave
Niles, IL 60714
T 224.333.6033
F 224.757.7557
info@luminii.com
www.luminii.com

REV 0.7
11152023

3 / 4

Please read all instructions prior to installation and keep for future reference!

1. PRODUCT TO BE INSTALLED BY A QUALIFIED ELECTRICIAN
2. USE ONLY WITH CLASS 2 POWER UNIT
3. 24 VOLTS DC
4. SUITABLE FOR WET LOCATIONS (COVERED CEILINGS ONLY)
5. TYPE IC (CEILING AND WALL) INHERENTLY PROTECTED
6. FOR CANADA, VAPOR BARRIER MUST BE SUITABLE FOR 90° C

Mounting Method 2: New Install

<p>2 RMP-1D-L - OPTION</p> <p>Hammer in this tab. Or use nail in these holes. (Nails are not supplied by Luminii)</p> <p>14-24"</p> <p>Secure hanger bars with 4x cinching screws</p>	<p>Fitting attachment holes.</p>
<p>2A.1 Align the hanger bars on the plaster frame to the ceiling joists in desired location. Fasten them to the joist by hammering in the tabs on the hanger bars or with nails (supplied by others). Secure with cinching screws.</p>	<p>2A.1B Route the DC power leads to the plaster frame Fitting Attachment holes with some slack to have ready to connect to the downlight. (OPTIONAL)</p>
<p>RHI/RHC-1D-L OPTION</p> <p>Hammer in this tab. Or use nail in these holes. (Nails are not supplied by Luminii)</p> <p>14-24"</p> <p>Secure hanger bars with 4x cinching screws</p>	<p>Cable hook</p> <p>Mark center with plumbline onto floor.</p>
<p>2B.1 Align the hanger bars on the plaster frame to the ceiling joists in desired location. Fasten them to the joist by hammering in the tabs on the hanger bars or with nails (supplied by others). Secure with cinching screws.</p>	<p>2.2 Mark fixture center opening on floor with plumbline. Route the DC power leads to the plaster frame Fitting Attachment holes with some slack to have ready to connect to the downlight. Use provided wire clip to help retrieve the wire during the next stages of installation. Make sure wires aren't too close to the fixture opening to avoid damaging wires in step 2.4</p>
<p>2.3 Install the drywall to the joists. Mark fixture center from floor marking in 2B.2</p>	<p>2.4 Create a cutout using a cutting tool. *Note: The "Cutting Tool" aka RotoZip cutter will follow the hole in the Plaster Frame as a guide to create the hole which keeps everything concentric*</p>

Stenos Installation Instructions

Stenos 1" Trimless Square



7777 Merrimac Ave
Niles, IL 60714
T 224.333.6033
F 224.757.7557
info@luminii.com
www.luminii.com

REV 0.7
11152023

4 / 4

Please read all instructions prior to installation and keep for future reference!

1. PRODUCT TO BE INSTALLED BY A QUALIFIED ELECTRICIAN
2. USE ONLY WITH CLASS 2 POWER UNIT
3. 24 VOLTS DC
4. SUITABLE FOR WET LOCATIONS (COVERED CEILING MOUNT ONLY)
5. TYPE IC (CEILING AND WALL) INHERENTLY PROTECTED
6. FOR CANADA, VAPOR BARRIER MUST BE SUITABLE FOR 90° C

Mounting Method 2: New Install continued

<p>2.5 Fish your DC feed from Power Supply. Connect the 2x2 fixture to the power leads using the 472" whip/Molex connector supplied with fixture. DO NOT CUT OFF RECTANGULAR DRIVER</p>		<p>2.6 Fasten fixture using provided hardware to suit installation scenario. Using Sheet metal self-tapping screws x4. Use two adjustment screws for fine tuning alignments if required. Ensure properly tightened when complete.</p>	
<p>A</p>	<p>B</p>	<p>C</p>	<p>2.8 Remove and discard Mud Plug, use provided soft tipped tweezers to install magnetically attached Louver or snapper in Regressed Baffle</p>
<p>3.1 Remove the louver and secondary optic using the soft tip tweezers that are supplied with the fixture.</p>		<p>3.2 Loosed the central mounting captive screw with a 2mm Allen Hex Key. Do not remove the screw, the screw will remain with the cartridge.</p>	
<p>3.3 Gently ease out the driver through the opening in the heat sink, then disconnect the Molex connector. Reverse Steps to mount new light engine.</p>			