

Features

The SLW20 Channel is a surface-mount anodized aluminum extrusion that can accommodate a wider range of LED strips. SLW20 can be mounted with mounting brackets or adhesive directly onto the desired surface. The extrusion profile comes with frosted or clear diffuser. End caps and mounting brackets sold separately. Extrusion is field cuttable.

Finish

Silver anodized

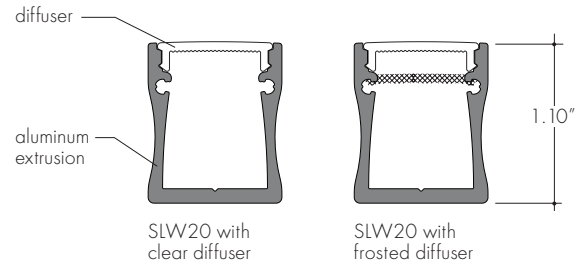
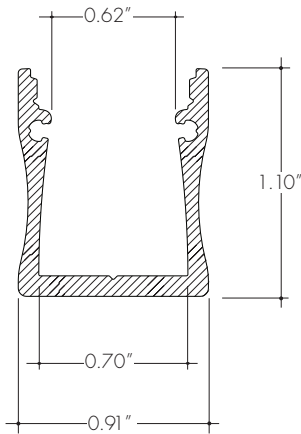
Diffuser Lens

Polycarbonate, snap-in-place, UV resistant

Mounting

Mounting bracket ordered separately

Product Dimensions



	Lens Options
Actual Length	-39.40" -78.75" -118.19"
Available Lenses	- Clear - Frosted

Ordering code

MODEL	LENGTH	LENS	FINISH
SLW20 - SLW20 Channel	39 - 39" 78 - 78" 118 - 118" ¹	C - Clear F - Frosted	SA - Silver Anodized

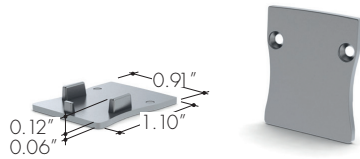
1 - For Channels and Lenses over 90", incremental shipping charges will apply.

Accessories

All accessories sold separately.

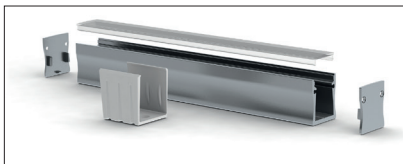
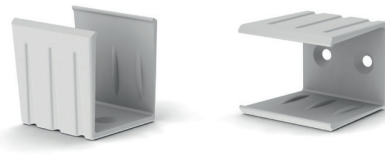
EC-SLW20-H1-SA

Endcaps, silver anodized finish



MC-SLW20

Mounting bracket, gray finish



SLW20 assembly

