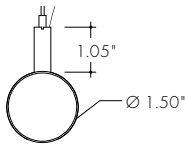




Features

- 24VDC Class 2 fixtures made to order up to 116".
- Suitable for undercabinet, millwork recessed, and surface mount applications
- Class two listed for damp locations.
- Dot free even illumination with frosted lens
- Proprietary strong bond solder method handles up to 50 lbs of pull force on wire leads and connectors.
- Warm Dim follows the incandescent dimming curve and is compatible with MLV, ELV, and Incandescent dimmers.
- 5 year warranty



Finish Options (see page 2 for additional information)

- | | | |
|-----------------|-------------|---------------|
| Silver Anodized | White | Aged Brass |
| Black | Matte Black | Polished Gold |
| Bronze | Warm Nickel | Chrome |



Technical Information

TYPE	Warm Dim
OUTPUT OPTIONS	WD68SO (19K-27K)
Lumens Output (all channels full on) <small>(with a Clear Lens)</small>	226 lm/ft
Average Power Consumption <small>(for a 4" section)</small>	5.4 W/ft
Efficacy	42 lm/W
Max Run Length <small>(in series)</small>	20 ft
Max Ambient Temperature*	50°C [122°F]
Control/Dimming Protocol	MLV, ELV, Inc.

Warm Dim (WD68)

CCT	TM-30			
	CRI	R _f	R _g	R ₉
1900K	96	92	96	94
2700K	96	93	106	95

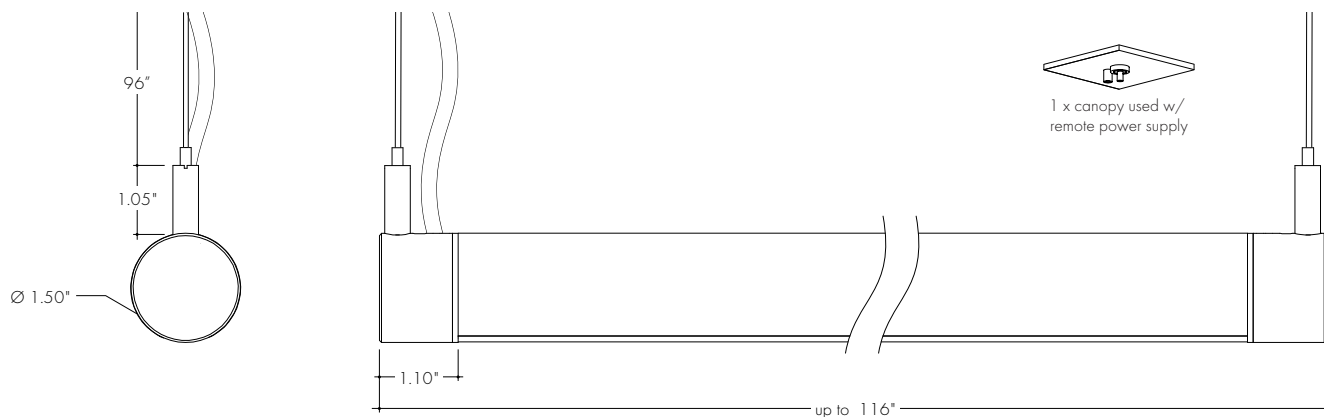
*Max Ambient Temperature to maintain L70 of 50k+ hours. Exceeding Max Ambient Temperature may result in decreased life/output. Consult Technical Support for specific inquiries.

Ordering Code

MODEL	LENGTH ¹	OUTPUT	CCT	LENS ²	LIGHT DIRECTION	MOUNTING	FINISH ²
RUN - Runda	12"-116" 3" increments	WD68SO - Standard	19K27K - 1900K - 2700K	C - Clear F - Frosted	U - Up P - Down	POA - Power over Aircraft Suspension	SA - Silver Anodized BK - Black BZ - Bronze WH - White MBK - Matte Black WN - Warm Nickel AB - Aged Brass PG - Polished Gold ³ CH - Chrome ³

1 - Custom lengths and increments are available, please consult Inside Sales with specific request.
 2 - Non SA finishes may have extended lead times. Custom RALs are available, please consult Inside Sales with specific request.
 3 - Polished Gold finishes have a maximum fixture length of 48", and Chrome finishes have a maximum fixture length of 72".

Product Dimensions




Finish Options

- Finish options are available in a wide variety, allowing for complete customization of style and aesthetic.
- Non Silver Anodized finishes may have extended lead times.
- Polished Gold finishes have a maximum section length of 48", and Chrome finishes have a maximum section length of 72".
- Custom RALs are available, please consult Inside Sales with specific request.

 <p>Silver Anodized</p>	 <p>Black</p>	 <p>Bronze</p>	 <p>White</p>	 <p>Matte Black</p>
<p>Silver Anodized is a soft silver with a clear finish.</p>	<p>Black is a true deep black with a glossy finish.</p>	<p>Bronze is a rich, dark brown with a satin finish.</p>	<p>White is a polar bright white and field paintable.</p>	<p>Matte Black is a dark, pitch-black with a soft flat finish.</p>
 <p>Warm Nickel</p>	 <p>Aged Brass</p>	 <p>Polished Gold</p>	 <p>Chrome</p>	
<p>Warm Nickel is a soft, silvery smoke with warm tones and a satin finish.</p>	<p>Aged Brass is a deep brown shade with slightly golden undertones.</p>	<p>Polished Gold is bright and radiant for a brilliant finish.</p>	<p>Chrome is a highly reflective silver polish.</p>	

Lens Option / Light Transmission

Output Options	Lens/Accessory	
	Clear Lens	Frosted Lens
WD68SO-27K	CD	ND
WD68SO-19K	CD	ND
Transmission Percentage	100%	63%



CD SD ND

CD - Clear Dotting

SD - Slight Dotting

ND - No Dotting

Power Consumption

Tested at Full Power with PSD Series power supplies.

Standard Nominal Lengths offered provide minimal shadowing. For alternate lengths, please contact factory with specific request.

Warm Dim (WD68)

Nominal Length (in)	Actual Length	Watts	Nominal Length (in)	Actual Length	Watts	Nominal Length (in)	Actual Length	Watts	Nominal Length (in)	Actual Length	Watts
		SO			SO			SO			SO
12	10 9/16	3.4	47	–	–	82	81 15/16	33.9	117	116 6/16	46.6
13	–	–	48	47 7/16	20.0	83	–	–	118	–	–
14	13	4.6	49	–	–	84	–	–	119	118 13/16	47.5
15	–	–	50	49 15/16	21.0	85	84 6/16	34.8	120	–	–
16	15 8/16	5.8	51	–	–	86	–	–	121	–	–
17	–	–	52	–	–	87	86 13/16	35.7	122	121 5/16	48.3
18	17 15/16	6.9	53	52 6/16	22.0	88	–	–	123	–	–
19	–	–	54	–	–	89	–	–	124	123 12/16	49.1
20	–	–	55	54 14/16	23.0	90	89 5/16	36.7	125	–	–
21	20 6/16	8.0	56	–	–	91	–	–	126	–	–
22	–	–	57	–	–	92	91 12/16	37.6	127	126 3/16	49.9
23	22 14/16	9.1	58	57 5/16	24.1	93	–	–	128	–	–
24	–	–	59	–	–	94	–	–	129	128 11/16	50.6
25	–	–	60	59 12/16	25.1	95	94 4/16	38.6	130	–	–
26	25 5/16	10.2	61	–	–	96	–	–	131	–	–
27	–	–	62	–	–	97	96 11/16	39.6	132	131 2/16	51.5
28	27 13/16	11.3	63	62 4/16	26.1	98	–	–	133	–	–
29	–	–	64	–	–	99	–	–	134	133 9/16	52.5
30	–	–	65	64 11/16	27.1	100	99 2/16	40.5	135	–	–
31	30 4/16	12.3	66	–	–	101	–	–	136	–	–
32	–	–	67	–	–	102	101 10/16	41.4	137	136 1/16	53.3
33	32 11/16	13.4	68	67 2/16	28.0	103	–	–	138	–	–
34	–	–	69	–	–	104	–	–	139	138 8/16	54.2
35	–	–	70	69 10/16	29.0	105	104 1/16	42.2	140	–	–
36	35 3/16	14.5	71	–	–	106	–	–	141	141	54.8
37	–	–	72	–	–	107	106 8/16	43.0	142	–	–
38	37 10/16	15.6	73	72 1/16	30.0	108	–	–	143	–	–
39	–	–	74	–	–	109	109	43.9	144	143 7/16	55.4
40	–	–	75	74 9/16	30.9	110	–	–			
41	40 1/16	16.7	76	–	–	111	–	–			
42	–	–	77	77	32.0	112	111 7/16	44.8			
43	42 9/16	17.8	78	–	–	113	–	–			
44	–	–	79	–	–	114	113 14/16	45.8			
45	–	–	80	79 7/16	33.1	115	–	–			
46	45	18.9	81	–	–	116	–	–			

Voltage Drop Calculator

The below chart assumes nominal voltage of 24 Volts and a Voltage Drop Allowance of 3% through the wire

Wattage [W]	Wire Length From Power Supply to Start of Run [ft]						
	12 AWG	14 AWG	16 AWG	18 AWG	20 AWG	22 AWG	24 AWG
5	1088.2	684.4	430.3	270.6	170.2	107.1	67.3
10	544.1	342.2	215.1	135.3	85.1	53.5	33.7
15	362.7	228.1	143.4	90.2	56.7	35.7	22.4
20	272.0	171.1	107.6	67.7	42.6	26.8	16.8
25	217.6	136.9	86.1	54.1	34.0	21.4	13.5
30	181.4	114.1	71.7	45.1	28.4	17.8	11.2
35	155.5	97.8	61.5	38.7	24.3	15.3	9.6
40	136.0	85.5	53.8	33.8	21.3	13.4	8.4
45	120.9	76.0	47.8	30.1	18.9	11.9	7.5
50	108.8	68.4	43.0	27.1	17.0	10.7	6.7
55	98.9	62.2	39.1	24.6	15.5	9.7	6.1
60	90.7	57.0	35.9	22.6	14.2	8.9	5.6
65	83.7	52.6	33.1	20.8	13.1	8.2	5.2
70	77.7	48.9	30.7	19.3	12.2	7.6	4.8
75	72.5	45.6	28.7	18.0	11.3	7.1	4.5
80	68.0	42.8	26.9	16.9	10.6	6.7	4.2
85	64.0	40.3	25.3	15.9	10.0	6.3	4.0
90	60.5	38.0	23.9	15.0	9.5	5.9	3.7
96	56.7	35.6	22.4	14.1	8.9	5.6	3.5

Power Supplies

See fixture and power supply instructions & spec sheet for wiring information. Dimming possible in select models - view Luminii website for list of compatible dimmers.

For use with Warm Dim, WD68

Triac, MLV, & ELV Compatible Dimmers

MODEL	POWER	OUTPUT
PDC - (IP20) Power Supply	96 - 96 Watts	24 - 24 VDC

MODELS	96W
Length	8.25"
Width	4.10"
Depth	1.56"

