

LineLED 24V - Installation Instructions

Models LL60X2



7777 Merrimac Ave
Niles, IL 60714
T 224.333.6033
F 224.757.7557
info@luminii.com
www.luminii.com

REV0.3
07212023

1 / 2

Please read all instructions prior to installation and keep for future reference!

1. PRODUCT SHOULD BE INSTALLED BY A QUALIFIED ELECTRICIAN
2. ENSURE POWER IS OFF AT FUSE BOX PRIOR TO INSTALLATION TO PREVENT ELECTRICAL SHOCK.
3. USE ONLY WITH CLASS 2 POWER UNIT
4. SUITABLE FOR DAMP LOCATIONS/FPO
5. FOR UNDER CABINET OR SHELF MOUNT
6. CONFORMS TO UL STD 2108. CERTIFIED TO CSA STD C22.2 NO.250.0.

Attention: Always test lineLED before installing. Connect lineLED to power supply to ensure it is working properly and no damage has occurred during shipping.

1 1.1 Clean the area thoroughly where the lineLED will be installed.

Remove the paper backing from the lineLED and firmly press down making sure there are no air bubbles that can cause surface irregularities. **Do not remove the adhesive, removing the adhesive may cause arcing of the lineLED tape.**

Note - Avoid bending the LineLED in flat bends which may damage the LEDs

Note - When removing backing & laying LineLED to surface avoid ripples on LineLED

2 2.1 If length of the lineLED needs to be adjusted on site, simply cut the LED strip in between solder pads. Always cut from end with no connector/wire leads.

solder pads

LineLED 24V - Installation Instructions

Models LL60X2



7777 Merrimac Ave
Niles, IL 60714
T 224.333.6033
F 224.757.7557
info@luminii.com
www.luminii.com

REVO.3
07212023

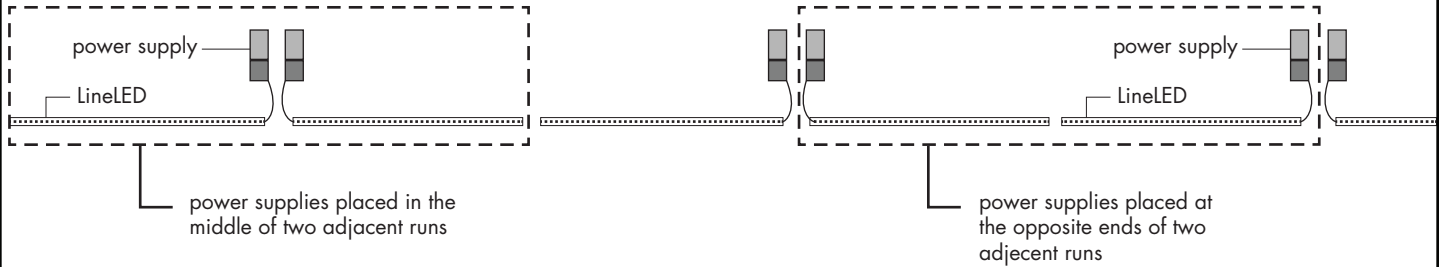
2 / 2

Please read all instructions prior to installation and keep for future reference!

1. PRODUCT SHOULD BE INSTALLED BY A QUALIFIED ELECTRICIAN
2. ENSURE POWER IS OFF AT FUSE BOX PRIOR TO INSTALLATION TO PREVENT ELECTRICAL SHOCK.
3. USE ONLY WITH CLASS 2 POWER UNIT
4. SUITABLE FOR DAMP LOCATIONS/FPO
5. FOR UNDER CABINET OR SHELF MOUNT
6. CONFORMS TO UL STD 2108. CERTIFIED TO CSA STD C22.2 NO.250.0.

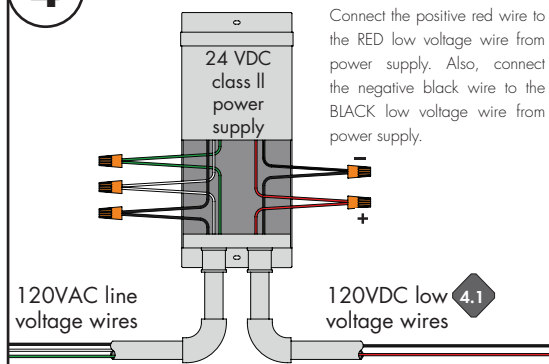
3

RECOMMENDED LAYOUT FOR MULTIPLE ADJACENT RUNS OF LINELED FED WITH SEPARATE POWER SUPPLIES



- 3.1 Position power supplies either in the middle of two runs or at the opposite ends.
- 3.2 If length of the lineLED needs to be adjusted on site, simply cut the LED strip in between solder pads. Always cut from end with no connector/wire leads.

4



- 4.1 Always ensure power to power supply is off! Follow diagrams to connect power feed wires to power supply. Refer to power supply instructions for wiring line voltage side.