

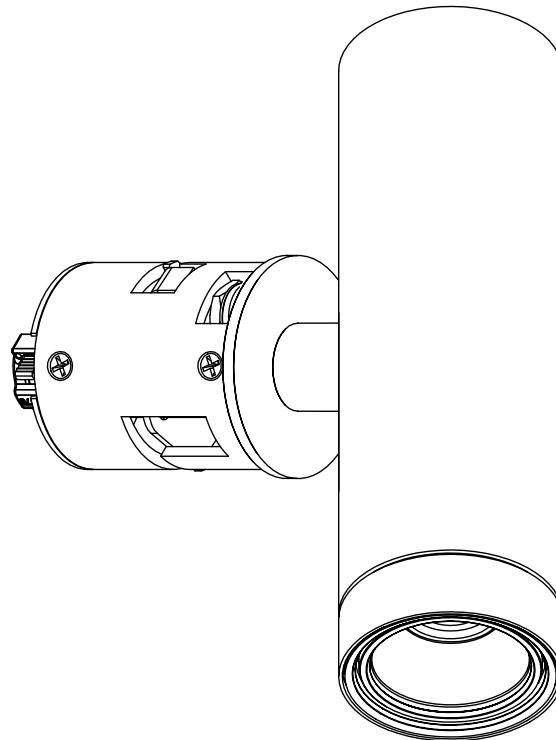
LETO 11 Mini S & WM

SEMI-RECESSED CANOPY

Ceiling Surface Mount
AC P2 / DC P3



Wall Mount
AC P4 / DC P5



Read and follow these instructions before installing or maintaining this product

- This product is suitable for **DRY INDOOR LOCATIONS ONLY**
- Make sure this product is **NOT** on the same circuit as inductive loads, (e.g. fluorescent bulbs, discharge bulbs, ventilation fans, etc...)
- Do not switch on line voltage until all wiring is complete
- Incorrect wiring will result in irreparable damage to LED and power supply
- This product should only be installed by a licensed electrician

Veuillez lire et suivre ces instructions avant l'installation ou l'entretien de ce produit

- Ce produit convient pour une installation **DANS UN ENDROIT SEC SEULEMENT**
- Assurer vous que des charges inductives ne se retrouvent pas sur le même circuit que ce produit, (i.e. fluorescent, ampoules à décharge, ventilateurs, etc...)
- Compléter les branchements avant de mettre sous tension
- Un branchement incorrect créerait des dommages irréparables à l'alimentation et au DEL
- Ce produit devrait être uniquement installé par un électricien qualifié



Warranty

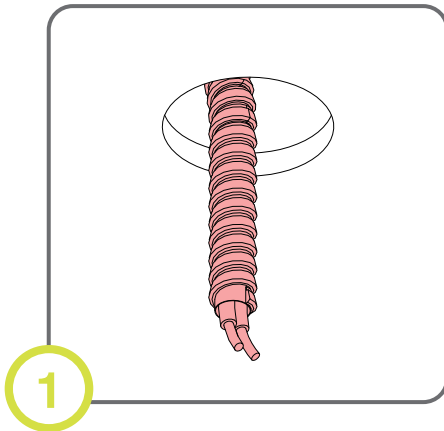
- This product must be installed in accordance with all applicable installation codes and ordinance
- Limited five (5) years warranty
- Warranty is void in the eventuality of unauthorized modifications and/or improper use

Garantie

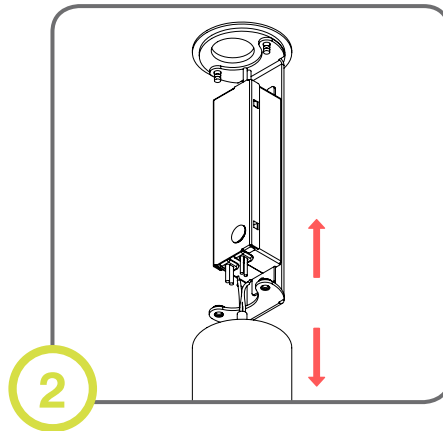
- Ce produit doit être installé conformément au code d'installation et autres normes applicables
- Garantie limitée de cinq (5) ans
- La garantie est non valide advenant une modification non autorisée ou un usage non approprié

LETO 11 Mini S & WM

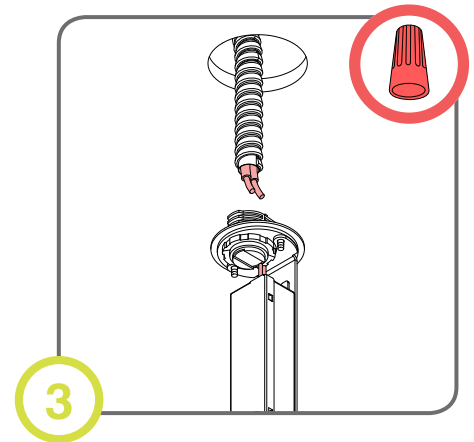
Surface: Ceiling Mount (AC Connection)



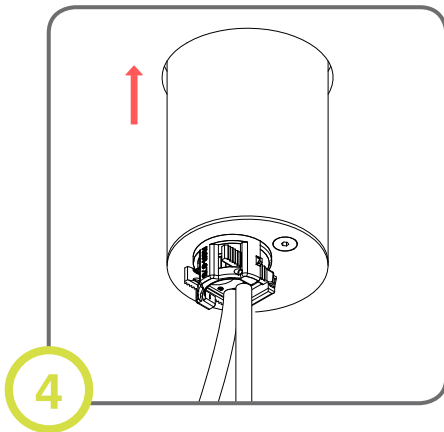
Finish ceiling installation. Make sure hole is cut to appropriate size and location. **54mm (2.125")**



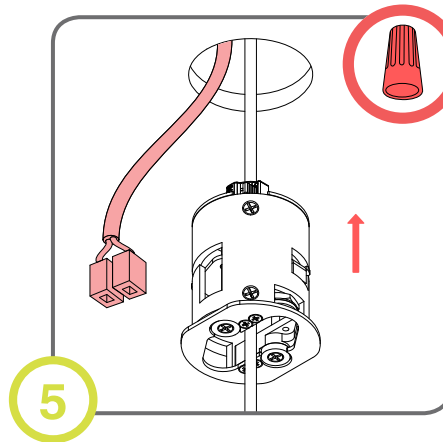
Disassemble driver housing to expose the driver.



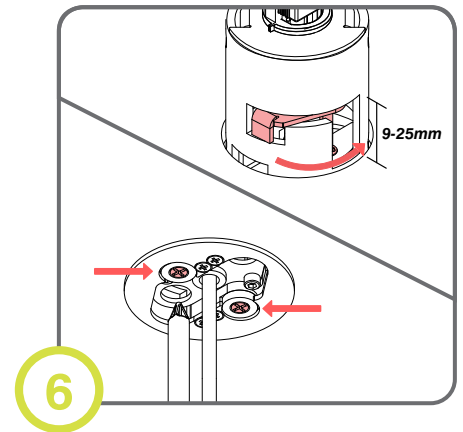
Make electrical connections and use appropriate strain relief.



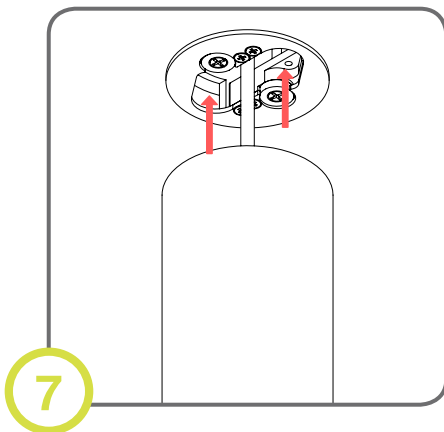
Reassemble housing and insert into ceiling. Push aside to leave room for canopy.



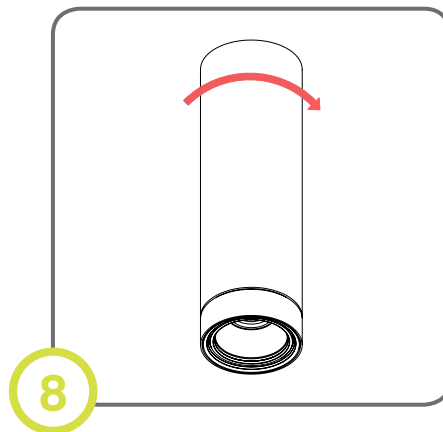
Connect dimming controls to included cable clamps. Insert wires and canopy into ceiling.



Turn screws until housing is secured in place (arms will extend and clamp down on ceiling)



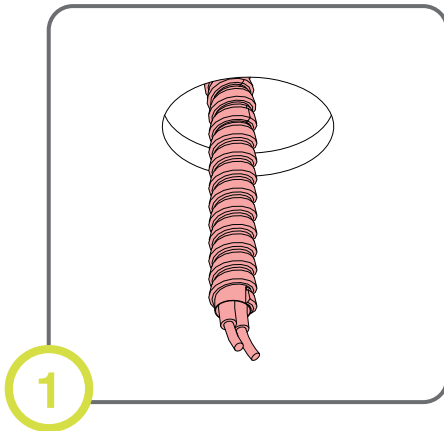
Line up fixture and insert into canopy



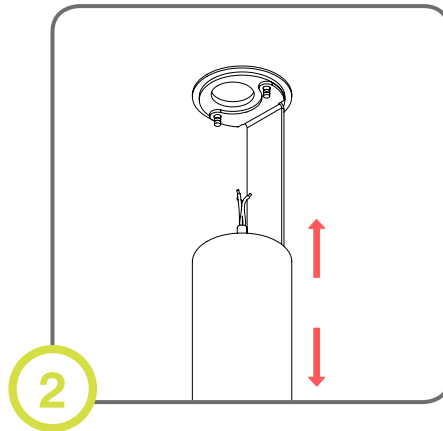
Twist fixture clockwise until it locks in place. (magnets will engage)

LETO 11 Mini S & WM

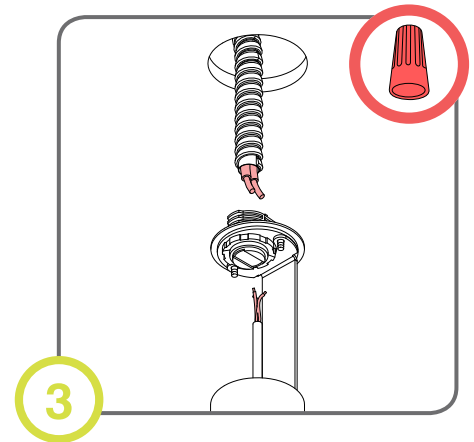
Surface: Ceiling Mount (Remote DC Connection)



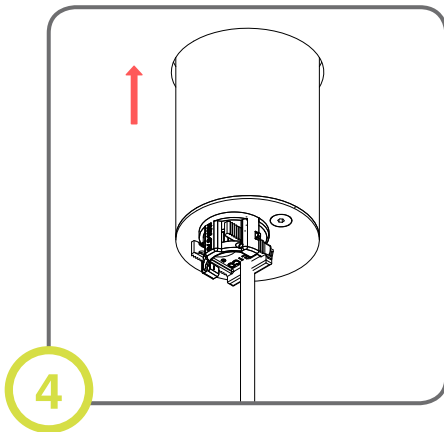
Finish ceiling installation. Make sure hole is cut to appropriate size and location. **54mm (2.125")**



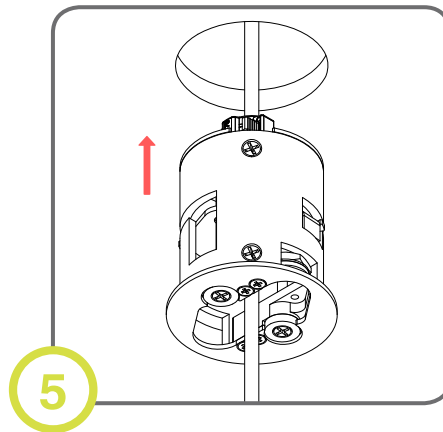
Disassemble driver housing to expose fixture wiring. Cylinder housing is used as DC junction box.



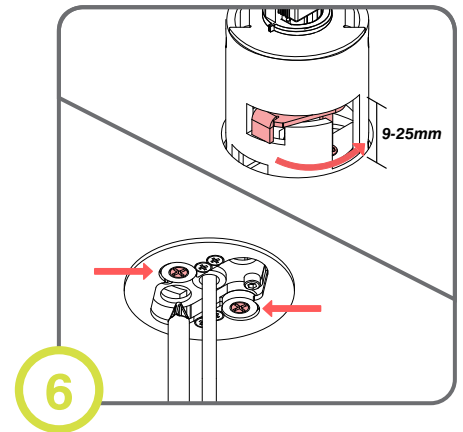
Make electrical connections and use appropriate strain relief.



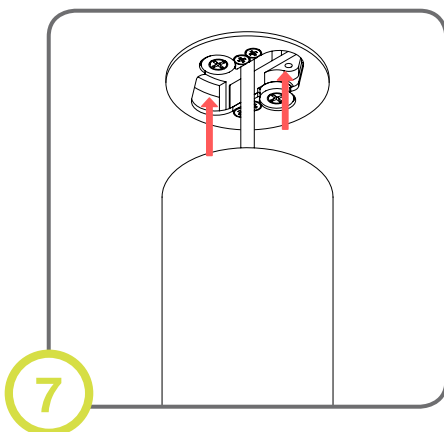
Reassemble housing and insert into ceiling. Push aside to leave room for canopy.



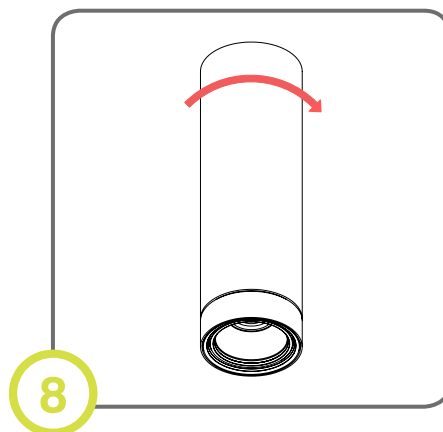
Insert canopy into ceiling.



Turn screws until housing is secured in place (arms will extend and clamp down on ceiling)



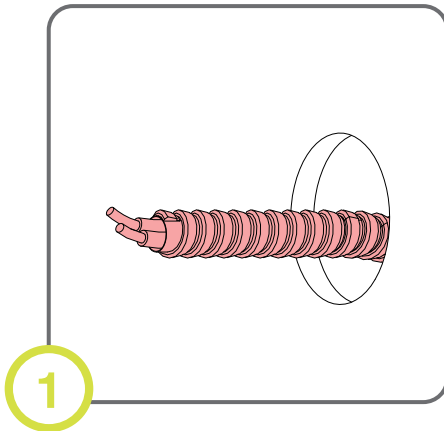
Line up fixture and insert into canopy



Twist fixture clockwise until it locks in place. (magnets will engage)

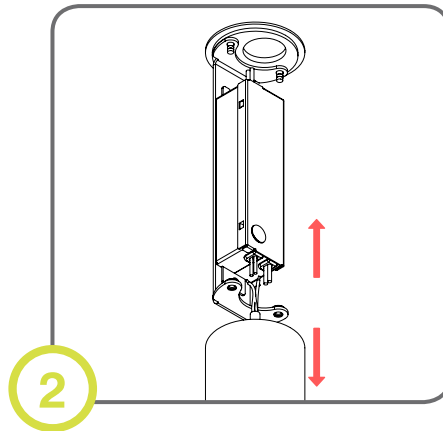
LETO 11 Mini S & WM

Surface: Wall Mount (AC Connection)



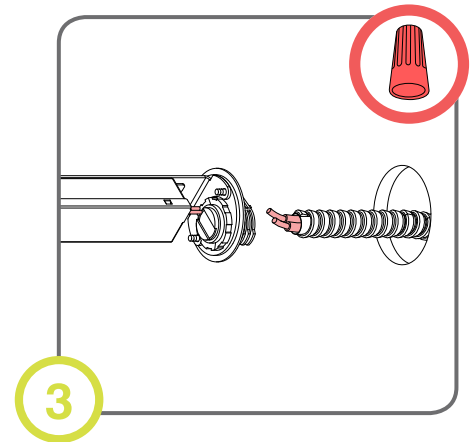
1

Finish wall installation. Make sure hole is cut to appropriate size and location. **54mm (2.125")**



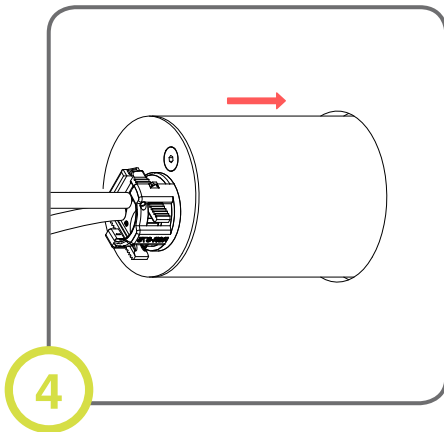
2

Disassemble driver housing to expose the driver.



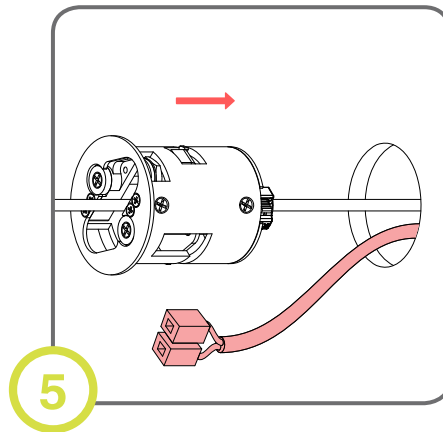
3

Make electrical connections and use appropriate strain relief.



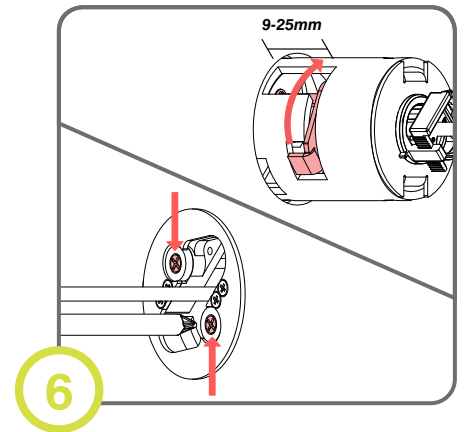
4

Reassemble housing and insert into wall.



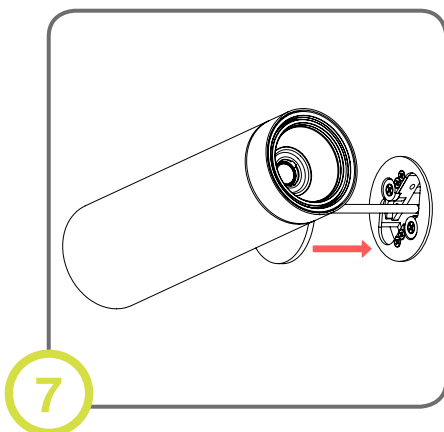
5

Connect dimming controls to included cable clamps. Insert wires and canopy into ceiling.



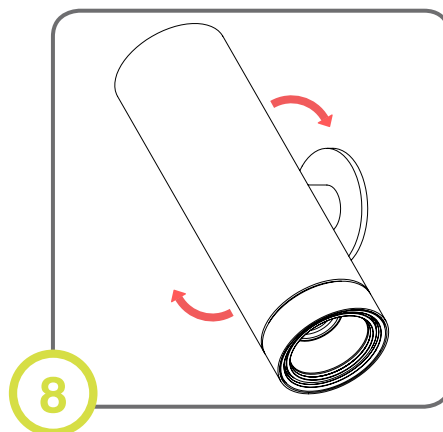
6

Turn screws until housing is secured in place (arms will rotate and clamp against wall)



7

Line up fixture and insert into canopy

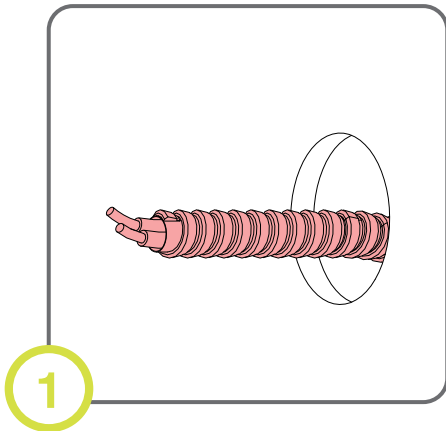


8

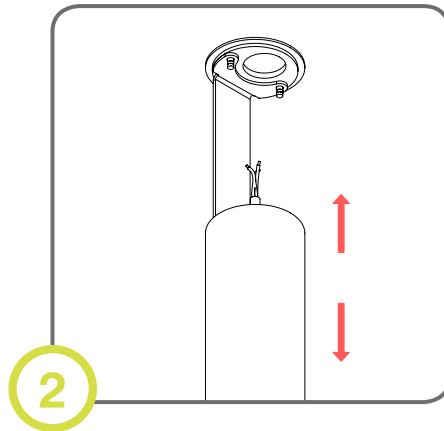
Twist fixture clockwise until it locks in place. (magnets will engage)

LETO 11 Mini S & WM

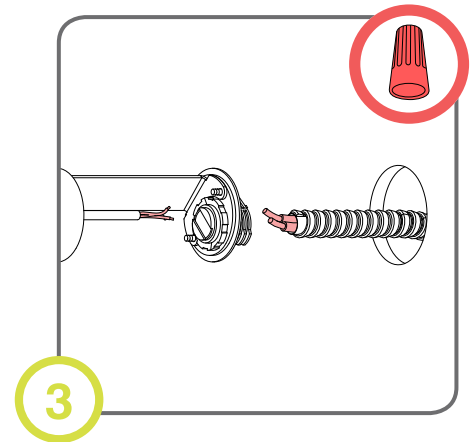
Surface: Wall Mount (Remote DC Connection)



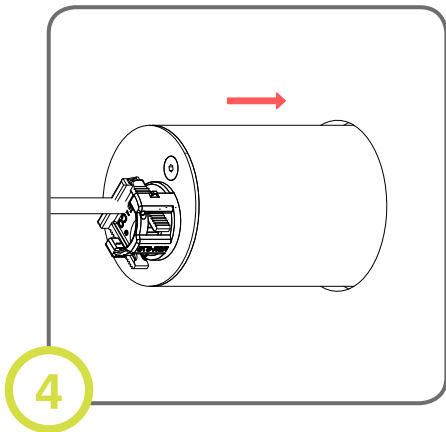
Finish wall installation. Make sure hole is cut to appropriate size and location. **54mm (2.125")**



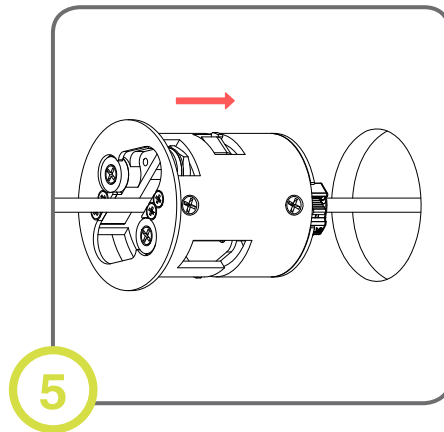
Disassemble driver housing to expose fixture wiring. Cylinder housing is used as DC junction box.



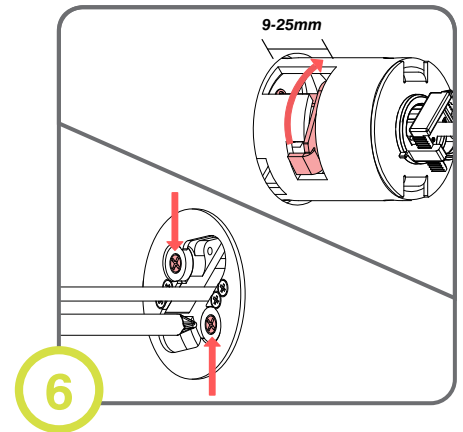
Make electrical connections and use appropriate strain relief.



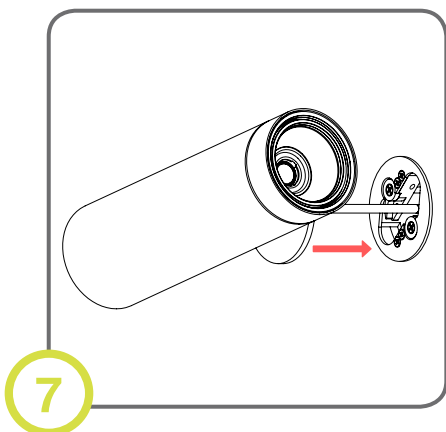
Reassemble housing and insert into wall.



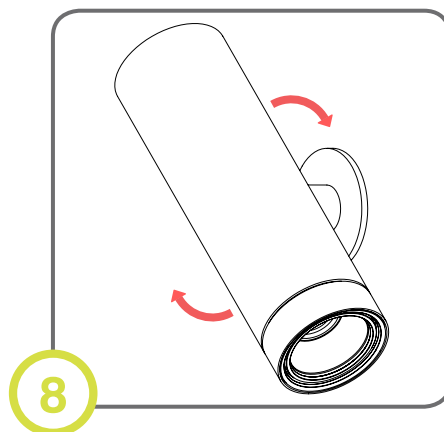
Insert canopy into wall. Use flat sides to level canopy horizontally.



Turn screws until housing is secured in place (arms will rotate and clamp against wall)



Line up fixture and insert into canopy



Twist fixture clockwise until it locks in place. (magnets will engage)