

# LETO 11 LB HP

LOW BAY PENDANT LED DOWNLIGHT



**Leto 11 LB HP - Low Bay Pendant LED Downlight.** LETO 11 LB HP is the solution for any low bay lighting application needs. Its ability to evenly light floors and working planes makes it ideal for office spaces, boardrooms and studios.

## Ordering Code

Fixture	<b>798</b>							
	1	2	3	4	5	6	7	8
Driver							--	--
	1	2	3	4	5	6	7	8

## Product Specifications

**SAMPLE:** Fixture **798 - A90 - 618 - 27 - 40 - 601 - 01 - 01** | Driver **951 - 01 - 00 - 08 - LCS - 120 - A90 - 40**

1 - Model	2 - LED	3 - Optic	4 - CCT	5 - Lumen	6 - Accessory
<b>798</b> · Leto 11 LB HP	<b>A90</b> · 93+ CRI Accuracy	<i>Faceted</i> <i>Smooth</i> <b>618</b> · 18° <b>630S</b> · 30° <b>630</b> · 30° <b>645S</b> · 45° <b>645</b> · 45° <b>660</b> · 60°	<b>27</b> · 2700K <b>30</b> · 3000K <b>35</b> · 3500K <b>40</b> · 4000K	<b>30</b> · 3000 (33.7W) <b>40</b> · 4000 (48.2W) <b>45</b> · 4500 (59.1W) <sup>*1</sup>	<b>600</b> · Clear Reflector <b>601</b> · Frosted Reflector

7 - Body Color	8 - Baffle Color	1 - Canopy Style	2 - Canopy Color	3 - Suspension (6" incl.)
<i>Standard</i> <i>Premium</i> <b>01</b> · White <b>52</b> · Mocha <b>02</b> · Black <b>53</b> · Charcoal <b>08</b> · Silver <b>54</b> · Cerulean <b>55</b> · Firebrick <b>XX</b> · RAL	<i>Standard</i> <i>Premium</i> <b>01</b> · White <b>52</b> · Mocha <b>02</b> · Black <b>53</b> · Charcoal <b>08</b> · Silver <b>54</b> · Cerulean <b>55</b> · Firebrick <b>XX</b> · RAL	<b>952</b> · Square	<i>Standard</i> <i>Premium</i> <b>01</b> · White <b>52</b> · Mocha <b>02</b> · Black <b>53</b> · Charcoal <b>08</b> · Silver <b>54</b> · Cerulean <b>55</b> · Firebrick <b>XX</b> · RAL	<b>01</b> · 1 Aircraft + Feed Cable <i>Contact SENSO for custom length</i>

4 - Suspension Color	5 - Driver	Dim Level	Dim Level	6 - Voltage	7 - LED	8 - Lumen
<b>01</b> · White <b>02</b> · Black <b>03</b> · Clear <b>XX</b> · Custom	<b>STD</b> · Non Dimming <b>LCS</b> · 0 - 10 Volt Protocol <b>ELDOLC</b> · EldoLED 0 - 10 Volt <b>DALI</b> · Dali Protocol	N/A 1% 0.1% 0.1%	<b>DMX</b> · SENSO <sup>**1/4</sup> <b>EMG</b> · Emergency Driver <sup>**1/2</sup> <b>CSMB</b> · Casambi Wireless Control <sup>**1/2</sup>	<b>120</b> · 120V <b>277</b> · 277V <b>347</b> · 347V <sup>**3/4</sup>	Same as Fixture	Same as Fixture

\*1 remote mount driver

\*2 specified separately

\*3 not available with ELDO, DALI, DMX, or EMG

\*4 only available for 3000lm and below

contact Senso for 347V options higher than 3000lm

# LETO 11 LB HP

LOW BAY PENDANT LED DOWNLIGHT

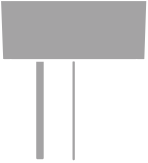
## Canopy / Suspension

**Square Canopy:** W/L - 5.67" [144mm] / H - 2.28" [58mm]

Drivers mounted in the Square Canopy: **STD, LCS, ELDOLC, DALI**

Drivers remote mounted: **DMX, EMG, CSMB**

**1 Aircraft Cable  
w/ Feed Cable**



## Reflectors

Senso metal spun faceted reflectors are specifically designed to retain as much light as possible. This results in a more power efficient fixture with a higher delivered lumen.



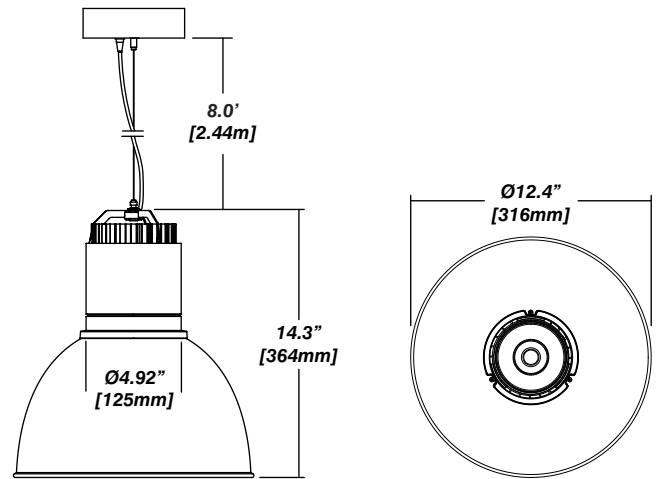
## Installation

- The included canopy fits on a standard junction box
- Height adjustable aircraft cable and feed cable
- Electrical feed cable included

## Construction / Finish

- High quality, scratch resistant powder coated finish in standard, premium or custom colors
- Aluminum extruded Body
- Made in Canada

## Dimensions



# LETO 11 LB HP

LOW BAY PENDANT LED DOWNLIGHT



## Photometrics

Senso's in-house photometric testing ensures that our lighting design can match your needs precisely. Our Goniophotometer and testing lab produces on-demand photometry files based on any specified fixture, including LM-79 Test reports, IES Files, and CRI/CCT measurements. See [Sensolighting.com](http://Sensolighting.com) for more information.

*\*Full photometric Reports and IES files available for every configuration*

## Color Metrics

TM 30-15

Our clients deserve the best information possible about their lighting choices. That's why Senso has invested in the Illuminating Engineering Society (IES) TM 30-15, a new system that measures an LED light source's color rendering properties. Using Senso's state-of-the-art goniophotometer, this method identifies the optimal light source for your project and helps evaluate the trade-offs between efficacy and color rendering. Senso can provide TM 30-15 data for all of our products.

*\*Full Color Metric Info Available at [Sensolighting.com](http://Sensolighting.com)*

## LED Module Performance

**Output:** Up to 92 lumen/Watt

**Efficacy:** Color consistency within a 3-MacAdam Ellipse

**CCT:** 2700K - 4000K

**Color Rendering:** 93+ CRI

**Min. R Values:** R<sup>9</sup> - 60 R<sup>f</sup> - 90 R<sup>a</sup> - 100

## Driver and Power Consumption

**Dimming:** 1% dimming standard with 0.1% option  
Casambi wireless control available

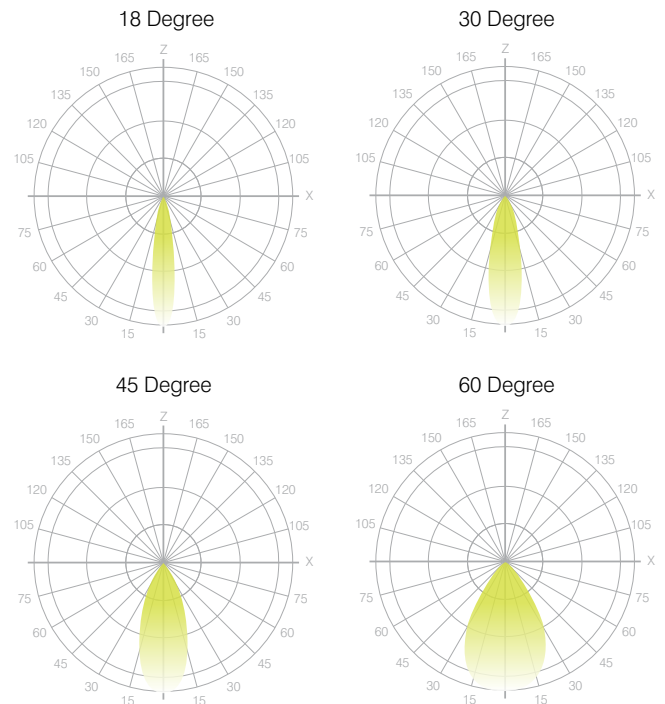
**Ripple:** Industry leading Low ripple

**Efficiency:** Power Factor >0.9  
Efficiency over 85%  
Class 2 output for safety

**Installation:** Remote mounted

<b>Lumen Option</b>	3000lm	4000lm	4500lm
<b>Fixture Wattage</b>	33.7W	48.2W	59.1W
<b>Delivered Lumen</b>	3015lm	3966lm	4420lm

## Leto Light Distribution: Reflector



# LETO 11 LB HP

LOW BAY PENDANT LED DOWNLIGHT

