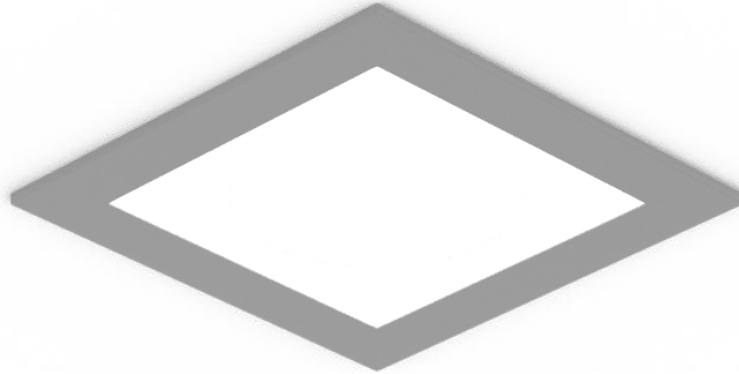


LETO 1 WET

WET RATED ADJUSTABLE RECESSED LED DOWNLIGHT



Leto 1 Single Wet - Wet Rated Recessed Adjustable downlight. The Leto 1 Single Wet is the wet-rated version of the Leto 1 Single. The wet rating allows for installation with humid or damp conditions.

Ordering Code

Fixture	673					
	1	2	3	4	5	6
Driver		673			--	--
	1	2	3	4	5	6

Product Specifications

SAMPLE: Fixture **673 - A90 - 618 - 27 - 07 - 01** | Driver **910 - 673 - STD - 120 - A90 - 07**

1 - Model	2 - LED	3 - Reflector	4 - CCT	5 - Lumen	6 - Finish	1 - Housing Style
673 · Leto 1 Wet Rated	A90 · 93+ CRI Accuracy	618 · 18° 630 · 30° 645 · 45° 660 · 60°	25 · 2500K 27 · 2700K 30 · 3000K 35 · 3500K 40 · 4000K 65 · 6500K	07 · 700 (8.2W) 10 · 1000 (12.1W) 15 · 1500 (16.4W) 20 · 2000 (24.9W) 30 · 3000 (31.8W)	01 · White 02 · Black 08 · Silver XX · Custom	910 · Remote 915 · New Construction

2 - Model	3 - Driver	Dim Level	Dim Level	4 - Line Voltage	5 - LED	6 - Lumen
673 · Leto 1	STD · Non Dimming LCS · 0 - 10 Volt Protocol DIM · Phase*1 ELDOLC · EidoLED 0 - 10 Volt*2 DALI · Dali Protocol*2	N/A 1% 1% 0.1% 0.1%	LUTES · Hilume Ecodigital*2 LUT2W · 2 Wire for phase*2 DMX · SENSO*2 EMG · Emergency Driver*2/3 CSMB · Casambi Wireless Control*2/3	1% 1%	120 · 120V 277 · 277V 347 · 347V*4	Same as Fixture Same as Fixture

*1 120V only
*2 Requires remote housing
*3 Specified separately
*4 Not available with ELDO, Lutron or DMX

Project : _____
Quantity : _____
Type : _____
Notes : _____



LETO 1 WET

WET RATED ADJUSTABLE RECESSED LED DOWNLIGHT

Photometrics

Senso's in-house photometric testing ensures that our lighting design can match your needs precisely. Our Goniophotometer and testing lab produces on-demand photometry files based on any specified fixture, including LM-79 Test reports, IES Files, and CRI/CCT measurements. See Sensolighting.com for more information.

**Full photometric Reports and IES files available for every configuration*

Color Metrics

TM 30-15

Our clients deserve the best information possible about their lighting choices. That's why Senso has invested in the Illuminating Engineering Society (IES) TM 30-15, a new system that measures an LED light source's color rendering properties. Using Senso's state-of-the-art goniophotometer, this method identifies the optimal light source for your project and helps evaluate the trade-offs between efficacy and color rendering. Senso can provide TM 30-15 data for all of our products.

**Full Color Metric Info Available at Sensolighting.com*

LED Module Performance

Output: Up to 93 lumen/Watt

Efficacy: Color consistency within a 3-MacAdam Ellipse

CCT: 2500K - 6500K

Color Rendering: 93+ CRI

Min. R Values: R⁹ - 60 R^r - 90 R^a - 100

Driver and Power Consumption

Dimming: 1% dimming standard with 0.1% option
Casambi wireless control available

Ripple: Industry leading Low ripple

Efficiency: Power Factor >0.9

Efficiency over 85%

Class 2 output for safety

Installation: Remote mounted

Lumen Option	700lm	1000lm	1500lm	2000lm	3000lm
Fixture Wattage	8.2W	12.1W	16.4W	24.9W	31.8W
Delivered Lumen	500lm	700lm	1000lm	1500lm	2500lm

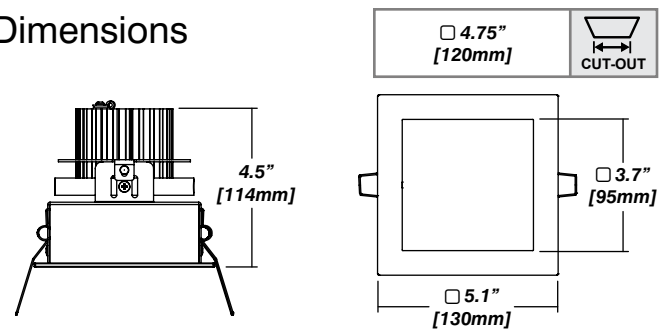
Installation

- For new and retrofit installations
- Holds in place with two spring clips
- Fully 30° angle adjustable spot, 360° rotation
- Simple connection between fixture and driver via quick connect

Construction / Finish

- Custom finishes are available
- Cast Aluminum Trim and Steel Casing
- Wet Rated for humid or damp areas
- Made in Canada

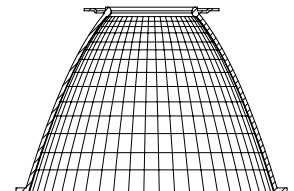
Dimensions



Reflector

Faceted Reflector

Senso metal spun reflectors for function, low glare and efficiency

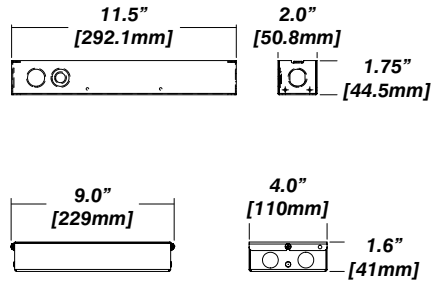
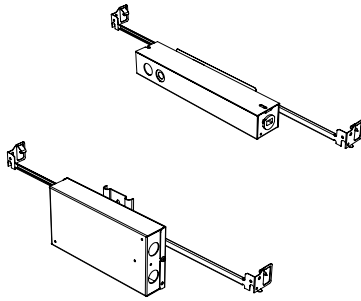


LETO 1 WET

WET RATED ADJUSTABLE RECESSED LED DOWNLIGHT

Standard Senso Housing - 910

Dimension



Included

Unless specified otherwise, this is provided as standard

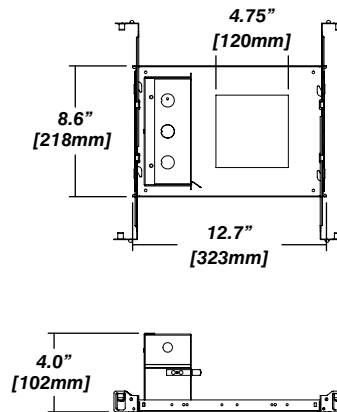
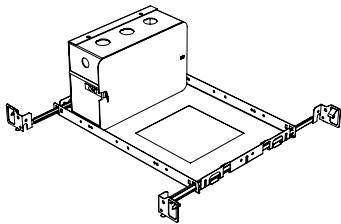
- Bar hanger**
 - Length: from 14-3/16" to 26"
- Driver with enclosure**
 - Galvanized steel enclosure
- Security wire**
 - Flexible aircraft cable, 12" long
 - Easy to clip snap body included

* driver can be installed either:

(A) laying on top of ceiling. (B) mounted to the bar hanger and fixed to the ceiling. (C) remote from the fixture, with the bar hanger still used if desired to secure the fixture

New Construction - 915

Dimension



Included

- Plaster Frame**
 - Galvanized steel construction with cut-out to
- Bar hanger**
 - Length: from 14-3/16" to 26"
- Security wire**
 - Flexible aircraft cable, 12" long
 - Easy to clip snap body included