

Kendo M - Installation Instructions

Models KM-XX



7777 Merrimac Ave
Niles, IL 60714
T 224.333.6033
F 224.757.7557
info@luminii.com
www.luminii.com

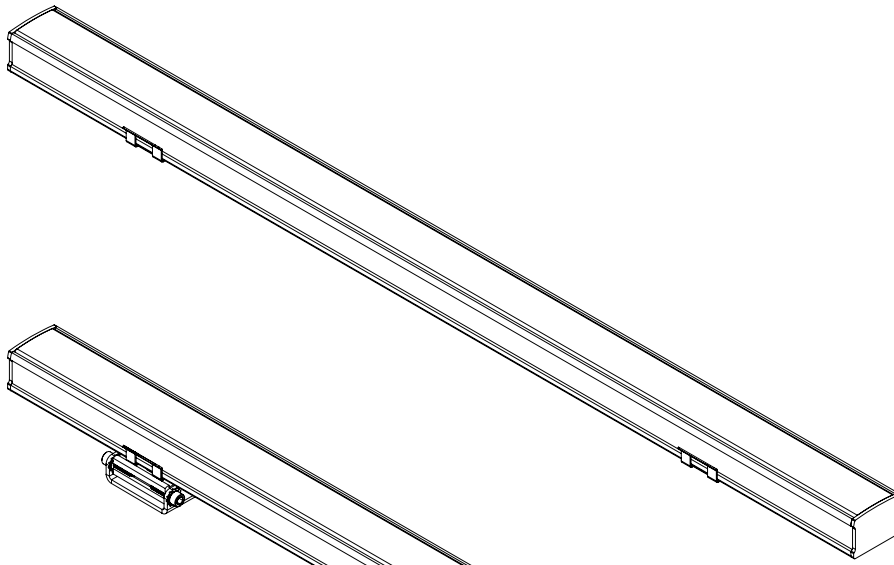
Please read all instructions prior to installation and keep for future reference!

1. PRODUCT TO BE INSTALLED BY A QUALIFIED ELECTRICIAN.
2. MUST BE INSTALLED PER NFPA 70, ARTICLE 410.16.
3. PRIOR TO INSTALLATION ENSURE POWER IS OFF AT FUSE BOX TO PREVENT ELECTRICAL SHOCK
4. DAMP LOCATIONS ONLY
5. USE ONLY WITH CLASS 2 POWER UNIT
6. SUITABLE FOR INSTALLATION WITHIN THE CLOSET STORAGE SPACE.
7. MAX 25 POUNDS PER 6 INCH WITH MOUNTING SUPPORTS

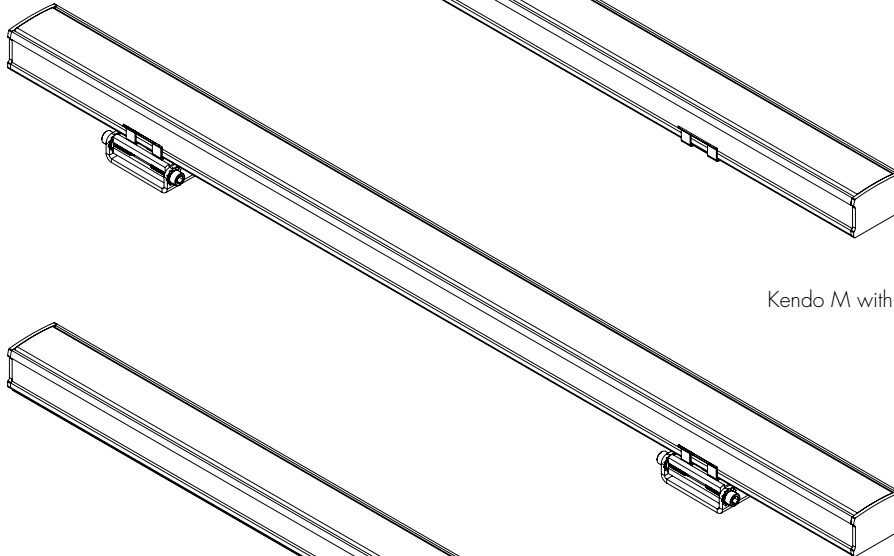
PLENUM FOR
SUCH USE IN
ACCORDANCE
WITH UL2043

REVO.7
06212023

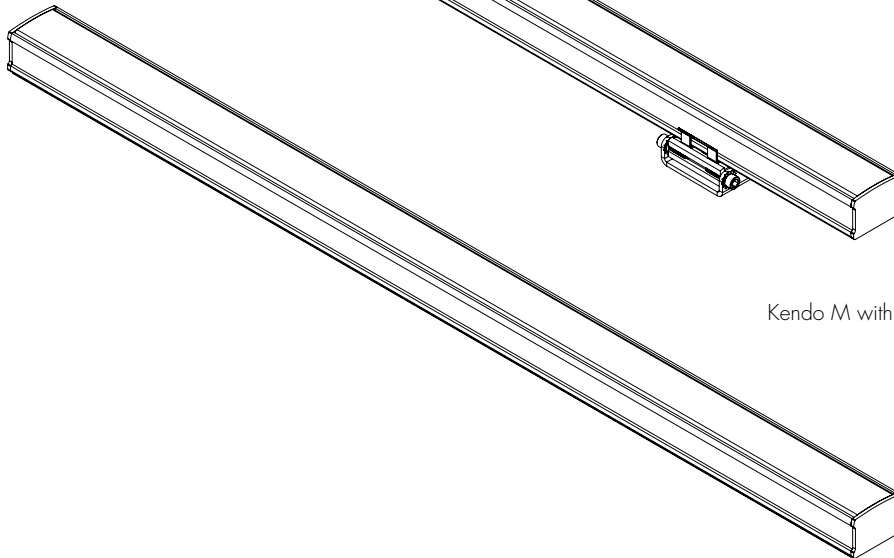
1 / 6



Kendo M with fixed clip mounting



Kendo M with adjustable hinge mounting



Kendo M with magnetic mounting

Kendo M - Installation Instructions

Models KM-XX



7777 Merrimac Ave
Niles, IL 60714
T 224.333.6033
F 224.757.7557
info@luminii.com
www.luminii.com

Please read all instructions prior to installation and keep for future reference!

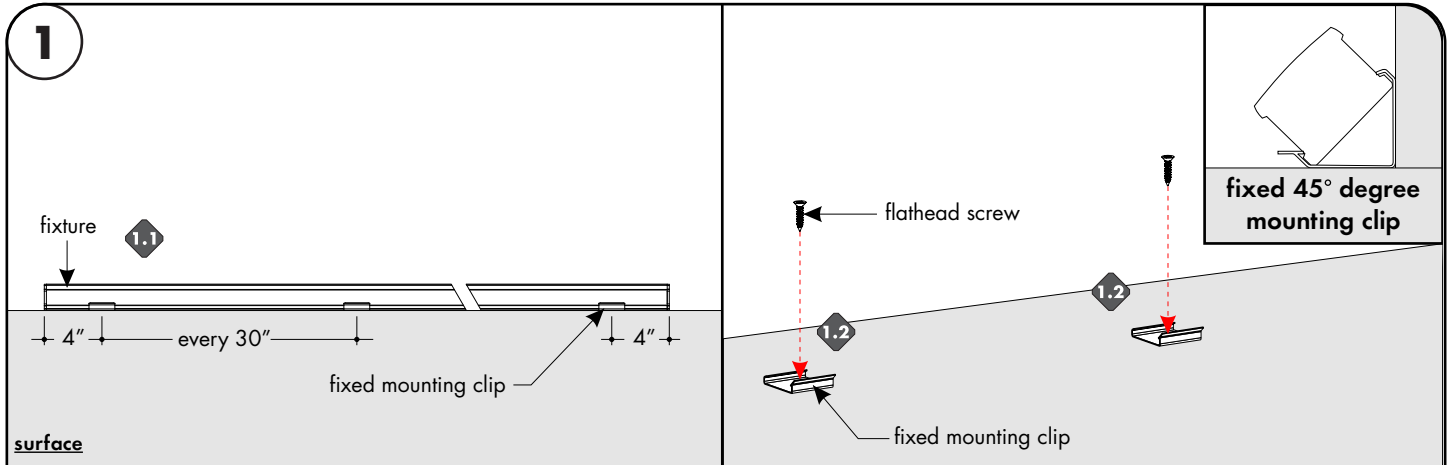
1. PRODUCT TO BE INSTALLED BY A QUALIFIED ELECTRICIAN.
2. MUST BE INSTALLED PER NFPA 70, ARTICLE 410.16.
3. PRIOR TO INSTALLATION ENSURE POWER IS OFF AT FUSE BOX TO PREVENT ELECTRICAL SHOCK
4. DAMP LOCATIONS ONLY
5. USE ONLY WITH CLASS 2 POWER UNIT
6. SUITABLE FOR INSTALLATION WITHIN THE CLOSET STORAGE SPACE.
7. MAX 25 POUNDS PER 6 INCH WITH MOUNTING SUPPORTS

PLENUM FOR SUCH USE IN ACCORDANCE WITH UL2043

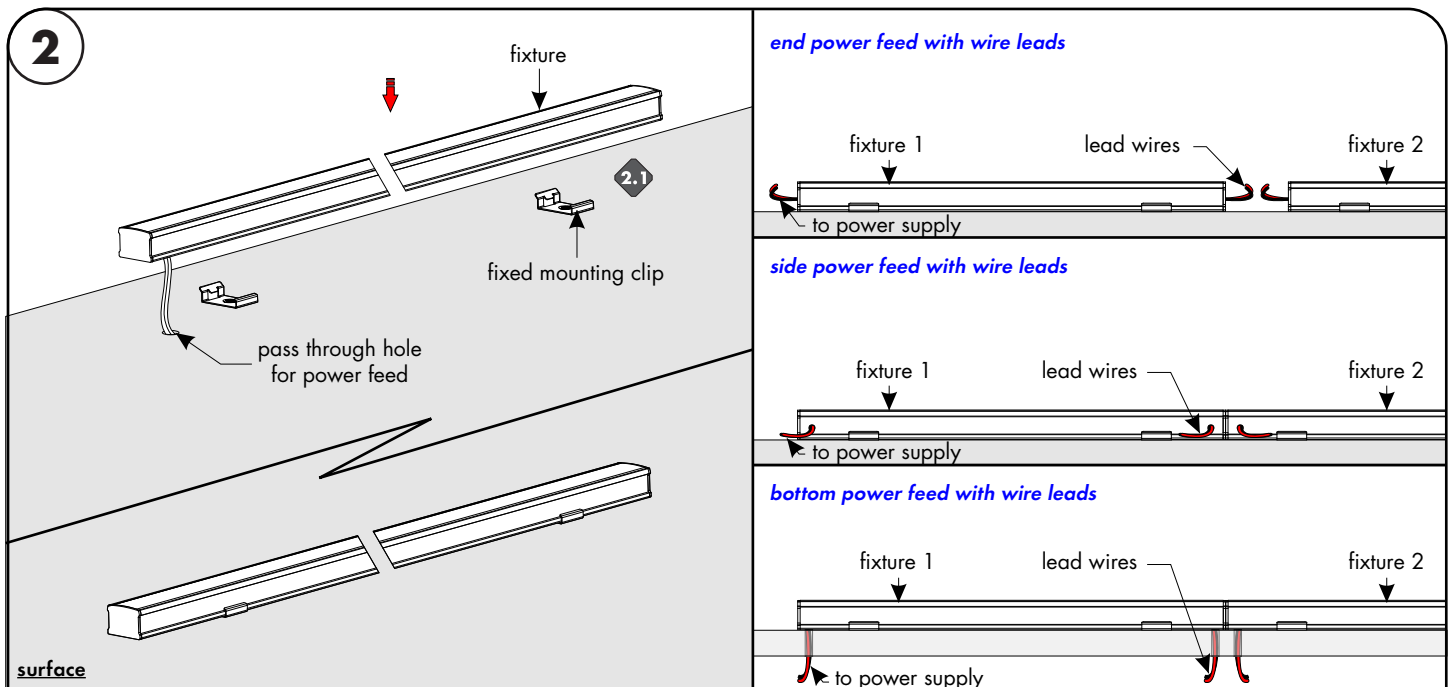
REV0.7
06212023

2 / 6

Fixed mounting clip installation



- 1.1** Determine the location of where the fixture(s) will be installed. Lay the fixture(s) on the surface, and make any necessary reference marks for the fixed mounting clips (or if using the fixed 45° degree mounting clip). Make marks 4" from each end of the fixture(s) and also every 30" in between.
- 1.2** Lay the fixed clip onto the reference mark points and secure using the provided hardware.



- 2.1** If necessary make any pass through holes for wire lead/connector to the surface, depending on the power feed option. Then snap the fixture into the fixed mounting clip to secure in place. Diagram on the right side illustrates the common way of connecting multiple fixtures to each other, depending on the location of the power feed wires.

Kendo M - Installation Instructions

Models KM-XX



7777 Merrimac Ave
Niles, IL 60714
T 224.333.6033
F 224.757.7557
info@luminii.com
www.luminii.com

Please read all instructions prior to installation and keep for future reference!

1. PRODUCT TO BE INSTALLED BY A QUALIFIED ELECTRICIAN.
2. MUST BE INSTALLED PER NFPA 70, ARTICLE 410.16.
3. PRIOR TO INSTALLATION ENSURE POWER IS OFF AT FUSE BOX TO PREVENT ELECTRICAL SHOCK
4. DAMP LOCATIONS ONLY
5. USE ONLY WITH CLASS 2 POWER UNIT
6. SUITABLE FOR INSTALLATION WITHIN THE CLOSET STORAGE SPACE.
7. MAX 25 POUNDS PER 6 INCH WITH MOUNTING SUPPORTS

PLENUM FOR SUCH USE IN ACCORDANCE WITH UL2043

REV0.7
06212023

3 / 6

Adjustable hinge mounting clip installation

1

fixture **1.1**

4" every 30" 4"

adjustable hinge mounting clip

loosen screws **1.2**

flathead screw

1.1 Determine the location of where the fixture(s) will be installed. Lay the fixture(s) on the surface, and make reference marks for the mounting clips. Make marks 4" from each end of the fixture(s) and also every 30" in between.

1.2 Slightly loosen the 2 screws on the side on adjustable bracket. Lay the bracket onto the reference mark points and secure using the provided hardware.

2

fixture **2.1**

adjustable hinge bracket

bottom power feed

surface

end power feed with wire leads

fixture 1 lead wires fixture 2

to power supply

side power feed with wire leads

fixture 1 lead wires fixture 2

to power supply

bottom power feed with wire leads

fixture 1 lead wires fixture 2

to power supply

2.1 If necessary make any pass through holes for wire lead/connector to the surface, depending on the power feed option. Then rotate fixture to the appropriate degree, followed by tightening the screws on the side. Then snap the fixture into the fixed mounting clip to secure in place. Diagram on the right side illustrates the common way of connecting multiple fixtures to each other, depending on the location of the power feed wires.

Kendo M - Installation Instructions

Models KM-XX



7777 Merrimac Ave
Niles, IL 60714
T 224.333.6033
F 224.757.7557
info@luminii.com
www.luminii.com

Please read all instructions prior to installation and keep for future reference!

1. PRODUCT TO BE INSTALLED BY A QUALIFIED ELECTRICIAN.
2. MUST BE INSTALLED PER NFPA 70, ARTICLE 410.16.
3. PRIOR TO INSTALLATION ENSURE POWER IS OFF AT FUSE BOX TO PREVENT ELECTRICAL SHOCK
4. DAMP LOCATIONS ONLY
5. USE ONLY WITH CLASS 2 POWER UNIT
6. SUITABLE FOR INSTALLATION WITHIN THE CLOSET STORAGE SPACE.
7. MAX 25 POUNDS PER 6 INCH WITH MOUNTING SUPPORTS

PLENUM FOR SUCH USE IN ACCORDANCE WITH UL2043

REVO.7
06212023

4 / 6

Magnetic mounting clip installation

1

fixture

1.1

steel surface

1.1 Determine the location where the fixture(s) will be installed. Must be made of steel or a ferrous metal. Clean the surface area thoroughly from any debris.

2

fixture

2.1

bottom power feed

steel surface

2.1 If necessary make any pass through holes for wire lead/connector to the surface, depending on the power feed option. Place fixture onto the surface to secure in place. Diagram on the right side illustrates the common way of connecting multiple fixtures to each other, depending on the location of the power feed wires.

end power feed with wire leads

fixture 1 lead wires fixture 2

to power supply

side power feed with wire leads

fixture 1 lead wires fixture 2

to power supply

bottom power feed with wire leads

fixture 1 lead wires fixture 2

to power supply

Kendo M - Installation Instructions

Models KM-XX



7777 Merrimac Ave
Niles, IL 60714
T 224.333.6033
F 224.757.7557
info@luminii.com
www.luminii.com

Please read all instructions prior to installation and keep for future reference!

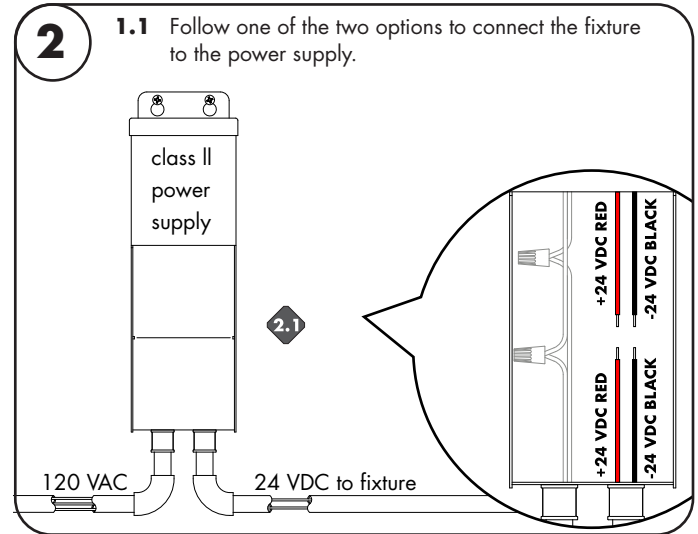
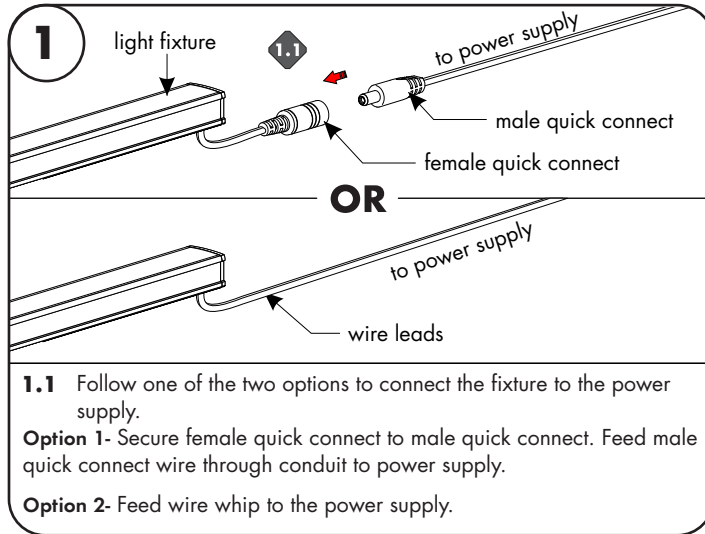
1. PRODUCT TO BE INSTALLED BY A QUALIFIED ELECTRICIAN.
2. MUST BE INSTALLED PER NFPA 70, ARTICLE 410.16.
3. PRIOR TO INSTALLATION ENSURE POWER IS OFF AT FUSE BOX TO PREVENT ELECTRICAL SHOCK
4. DAMP LOCATIONS ONLY
5. USE ONLY WITH CLASS 2 POWER UNIT
6. SUITABLE FOR INSTALLATION WITHIN THE CLOSET STORAGE SPACE.
7. MAX 25 POUNDS PER 6 INCH WITH MOUNTING SUPPORTS

PLENUM FOR SUCH USE IN ACCORDANCE WITH UL2043

REVO.7
06212023

5 / 6

Connect to power



Kendo M - Installation Instructions

Models KM-XX



7777 Merrimac Ave
Niles, IL 60714
T 224.333.6033
F 224.757.7557
info@luminii.com
www.luminii.com

Please read all instructions prior to installation and keep for future reference!

1. PRODUCT TO BE INSTALLED BY A QUALIFIED ELECTRICIAN.
2. MUST BE INSTALLED PER NFPA 70, ARTICLE 410.16.
3. PRIOR TO INSTALLATION ENSURE POWER IS OFF AT FUSE BOX TO PREVENT ELECTRICAL SHOCK
4. DAMP LOCATIONS ONLY
5. USE ONLY WITH CLASS 2 POWER UNIT
6. SUITABLE FOR INSTALLATION WITHIN THE CLOSET STORAGE SPACE.
7. MAX 25 POUNDS PER 6 INCH WITH MOUNTING SUPPORTS

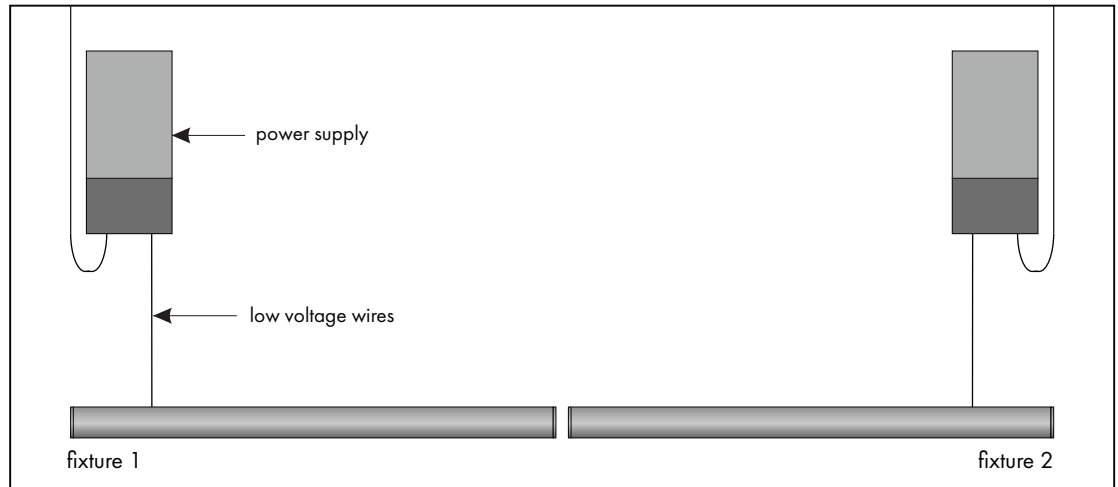
PLENUM FOR SUCH USE IN ACCORDANCE WITH UL2043

REVO.7
06212023

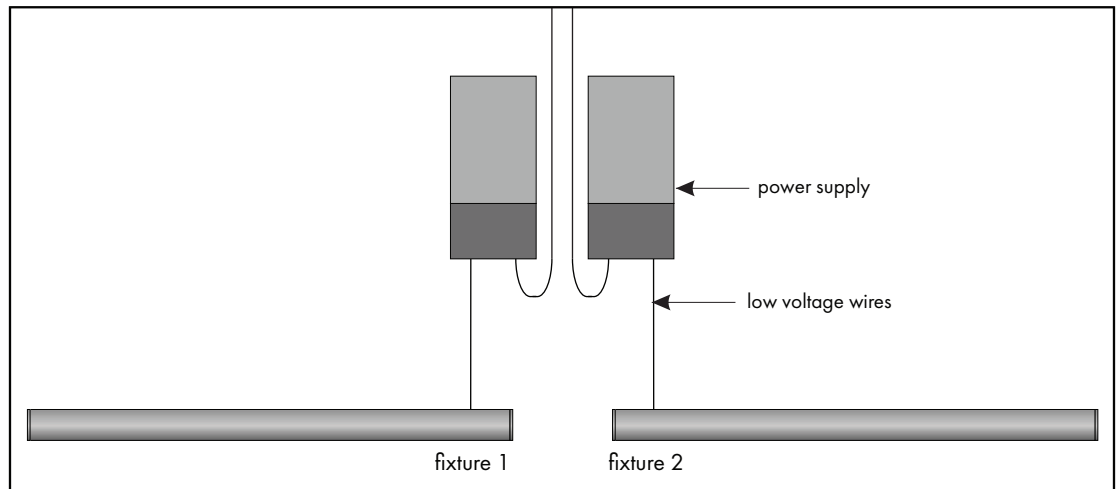
6 / 6

Multiple powerfeed layouts

power supplies at the end of the run



power supplies in the middle of the run



consecutive layout, NOT RECOMMENDED

