

## instruction manual

Minimo Core  
Electrical Installation  
700mA Constant Current  
Driver.

### WARNING

Do not exceed maximum number of luminaires per driver wattage rating, see driver datasheet for details.

Remote access required for driver.

These instructions are applicable to all

Minimo luminaires including:

640 - Minimo Core Pinhole

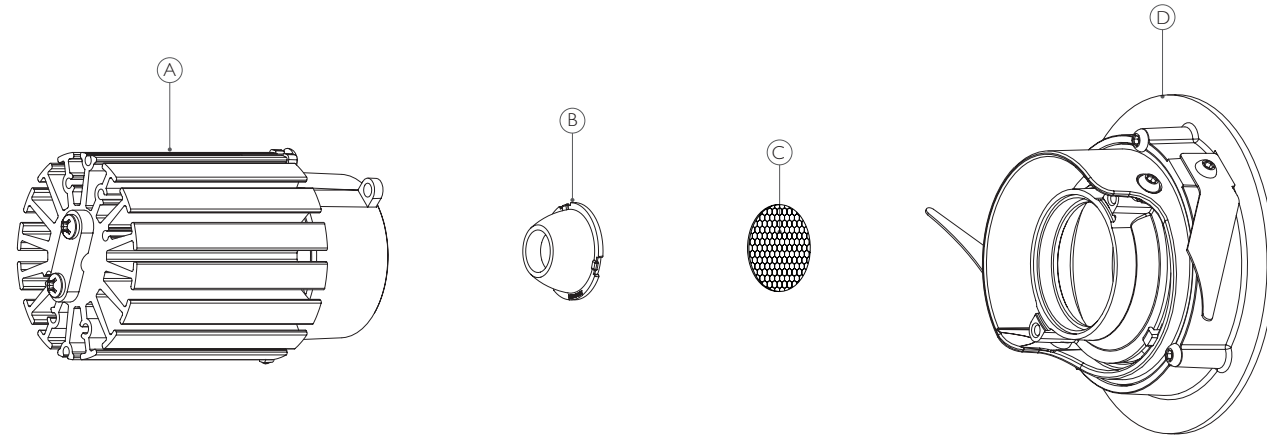
641 - Minimo Core Pinhole IP54



42 RIVERSIDE ROAD | LONDON | SW17 0BA | UK  
t. +44 (0) 20 8947 6616 | sales@precisionlighting.co.uk  
f. +44 (0) 20 8286 6626 | www.precisionlighting.co.uk  
© 2021 Precision Lighting Ltd. We reserve the right to  
change details of design, materials and finish. Version 1.0

### KEY PRODUCT FEATURES

- A LED Light Engine Module
- B Optic
- C Louvre
- D Housing



## IMPORTANT SAFETY INFORMATION

READ ALL INSTRUCTIONS BEFORE USING THESE PRODUCTS. SAVE THESE INSTRUCTIONS FOR LATER REFERENCE.

1. All systems must be installed by a suitably qualified professional only. Installations must conform to national installation and accident prevention regulations.
2. Ensure that the luminaire is switched off at mains supply before installing or removing.
3. Do not install these systems in a damp or wet location, IP20 environments only. Do not install any fixture closer than 150mm (6 inches) from any combustible material.
4. To reduce the risk of fire and burns, do not install these systems where exposed bare conductors can be shorted or contact any conductive materials. Do not conceal or extend exposed conductors through a building wall.
5. Luminaire and control gear must not be covered with insulation, there must be at least 150mm (6") clearance to the insulation on all sides.
6. Ensure all connections are tight. Bad connections can cause overheating, arcing and a potential fire risk.
7. Wire supply connections must be made with U.L or compatible testing agency-approved connectors. Always use appropriate optics and ensure they are fitted securely.
8. Install and use only as described in this Precision Lighting manual.
9. Use Precision Lighting recommended optics and accessories only.
10. Luminaires may be hot, allow to cool before touching.
11. Access to serviceable electrical components should be kept available for maintenance purposes.
12. Regular cleaning of these products is important. Switch off at mains supply and allow to cool before touching. Clean fittings with a microfibre cloth. Then reconnect the power supply.

## instruction manual

Minimo Core  
Electrical Installation  
700mA Constant Current  
Driver.

### WARNING

Do not exceed maximum number of luminaires per driver wattage rating, see driver datasheet for details.

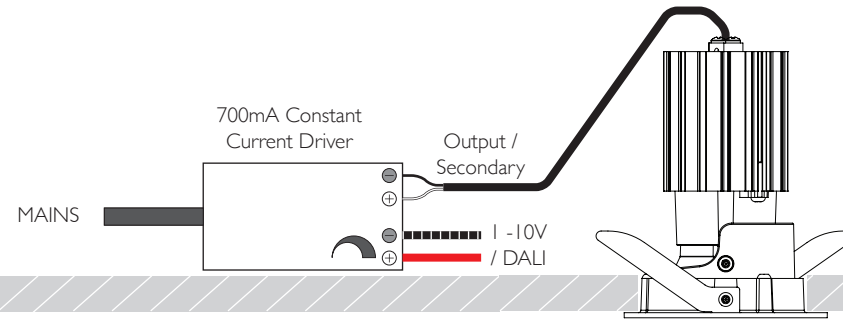
Remote access required for driver.

These instructions are applicable to all

Minimo luminaires including:

640 - Minimo Core Pinhole

641 - Minimo Core Pinhole IP54



**WARNING** mains supply to driver must be OFF before connecting or disconnecting fittings. Do not connect or disconnect under load.

Ensure driver has not been powered for a minimum of 1 minute before reconnecting the LED module after disconnecting. Do not hot plug. Failure to follow this

instruction will lead to serious damage of the LED module and driver and will not be covered by warranty.

**NOTE** Wire specification: 22 AWG, ø0.65mm diameter double insulated teflon wire.  
White - Positive Black - Negative

1. Connect Minimo luminaires in series to the driver LED outlet.

Maintain correct polarity when wiring. Incorrect wiring will cause serious damage and will not be covered by warranty. Must be installed according to SELV regulations.

2. Wire I-10V or DALI control to LED driver.

Maintain correct polarity when wiring dimming control wire. Incorrect wiring will cause serious damage and will not be covered by warranty. Must be installed according to SELV regulations.

COMPATIBLE POWER SUPPLY	ORDER CODE	LUMINAIRE QUANTITY
Eldoled 0-10V	PSCC-20-700-A-EL	1 only
Eldoled 0-10V	PSCC-30-700-A-EL	1 - 2
Eldoled DALI	PSCC-20-700-D-EL	1 only
Eldoled DALI	PSCC-30-700-D-EL	1 - 2

## IMPORTANT SAFETY INFORMATION

READ ALL INSTRUCTIONS BEFORE USING THESE PRODUCTS. SAVE THESE INSTRUCTIONS FOR LATER REFERENCE.

- All systems must be installed by a suitably qualified professional only. Installations must conform to national installation and accident prevention regulations.
- Ensure that the luminaire is switched off at mains supply before installing or removing.
- Do not install these systems in a damp or wet location, IP20 environments only. Do not install any fixture closer than 150mm (6 inches) from any combustible material.
- To reduce the risk of fire and burns, do not install these systems where exposed bare conductors can be shorted or contact any conductive materials. Do not conceal or extend exposed conductors through a building wall.
- Luminaire and control gear must not be covered with insulation, there must be at least 150mm (6") clearance to the insulation on all sides.
- Ensure all connections are tight. Bad connections can cause overheating, arcing and a potential fire risk.
- Wire supply connections must be made with U.L or compatible testing agency-approved connectors. Always use appropriate optics and ensure they are fitted securely.
- Install and use only as described in this Precision Lighting manual.
- Use Precision Lighting recommended optics and accessories only.
- Luminaires may be hot, allow to cool before touching.
- Access to serviceable electrical components should be kept available for maintenance purposes.
- Regular cleaning of these products is important. Switch off at mains supply and allow to cool before touching. Clean fittings with a microfibre cloth. Then reconnect the power supply.

## instruction manual

Minimo Core  
Electrical Installation  
700mA Constant Current  
Driver.

### WARNING

Do not exceed maximum number of luminaires per driver wattage rating, see driver datasheet for details.

Remote access required for driver.

These instructions are applicable to all

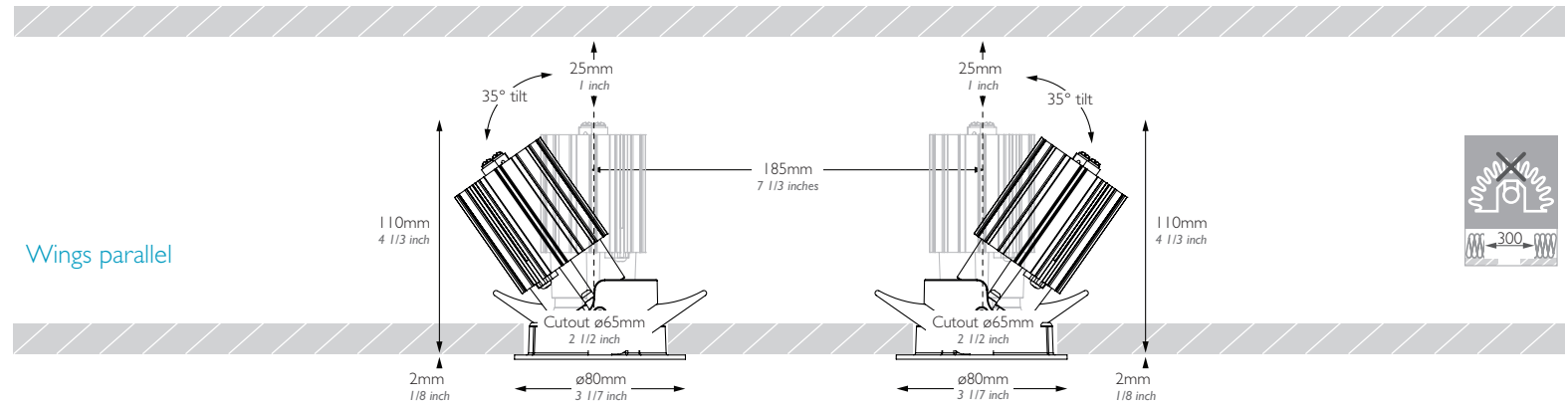
Minimo luminaires including:

640 - Minimo Core Pinhole

641 - Minimo Core Pinhole IP54



42 RIVERSIDE ROAD | LONDON | SW17 0BA | UK  
t. +44 (0) 20 8947 6616 | sales@precisionlighting.co.uk  
f. +44 (0) 20 8286 6626 | www.precisionlighting.co.uk  
© 2021 Precision Lighting Ltd. We reserve the right to change details of design, materials and finish. Version 1.0



## IMPORTANT SAFETY INFORMATION

READ ALL INSTRUCTIONS BEFORE USING THESE PRODUCTS. SAVE THESE INSTRUCTIONS FOR LATER REFERENCE.

- All systems must be installed by a suitably qualified professional only. Installations must conform to national installation and accident prevention regulations.
- Ensure that the luminaire is switched off at mains supply before installing or removing.
- Do not install these systems in a damp or wet location, IP20 environments only. Do not install any fixture closer than 150mm (6 inches) from any combustible material.
- To reduce the risk of fire and burns, do not install these systems where exposed bare conductors can be shorted or contact any conductive materials. Do not conceal or extend exposed conductors through a building wall.
- Luminaire and control gear must not be covered with insulation, there must be at least 150mm (6") clearance to the insulation on all sides.
- Ensure all connections are tight. Bad connections can cause overheating, arcing and a potential fire risk.
- Wire supply connections must be made with U.L or compatible testing agency-approved connectors. Always use appropriate optics and ensure they are fitted securely.
- Install and use only as described in this Precision Lighting manual.
- Use Precision Lighting recommended optics and accessories only.
- Luminaires may be hot, allow to cool before touching.
- Access to serviceable electrical components should be kept available for maintenance purposes.
- Regular cleaning of these products is important. Switch off at mains supply and allow to cool before touching. Clean fittings with a microfibre cloth. Then reconnect the power supply.

**WARNING** Do not connect or disconnect under load. Ensure driver has not been powered for a minimum of 1 minute before reconnecting the LED module after disconnecting. Do not hot plug. Failure to follow this instruction will lead to serious damage of the LED module and driver and will not be covered by warranty.

**NOTE** Maintain correct polarity when wiring. Incorrect wiring will cause serious damage and will not be covered by warranty. Must be installed according to SELV regulations. Wire specification: 22 AWG,  $\varnothing$ 0.65mm diameter double insulated teflon wire. Red / White - Positive Black - Negative

**NOTE** LED module is not site serviceable. Tampering will cause damage and will not be covered by warranty.

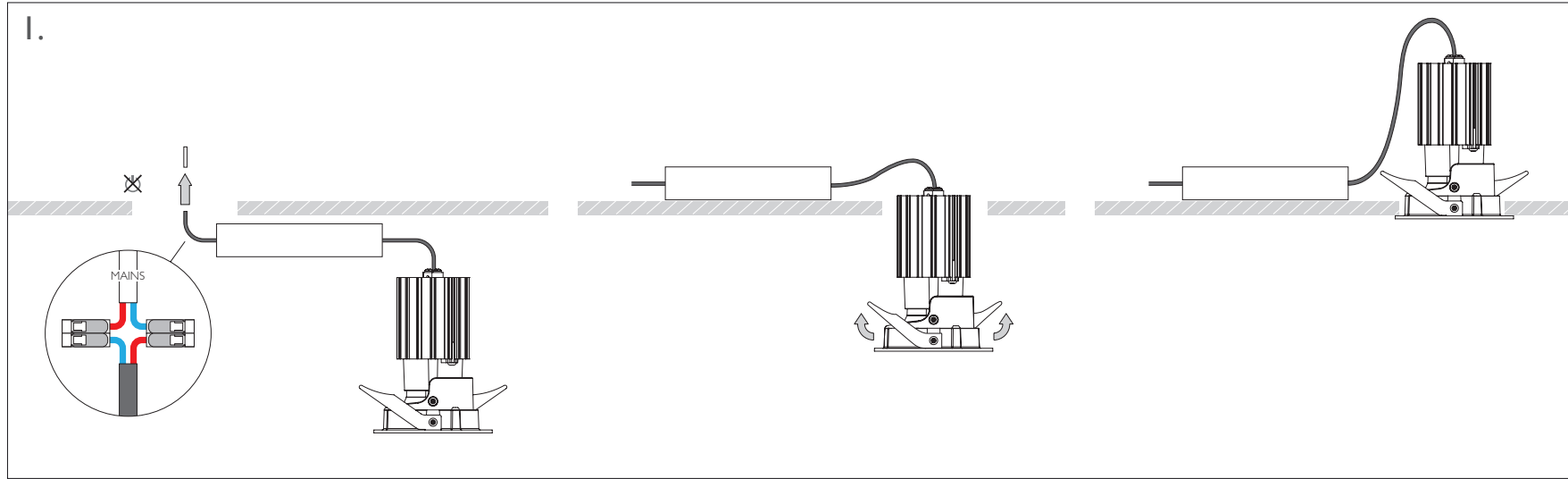
## 1. Installing the luminaire

**WARNING** switch off power to mains before installation.

Cut ceiling hole at  $\varnothing$ 70mm (2 3/4 inch).

Pull driver side connector through hole and connect to the luminaire side connector. See electrical instructions for wiring schematic. Compatible drivers listed in front page table.

Pinch luminaire mounting wings to fit through cutout and insert luminaire through hole.



## 2. Changing beam angle/optic

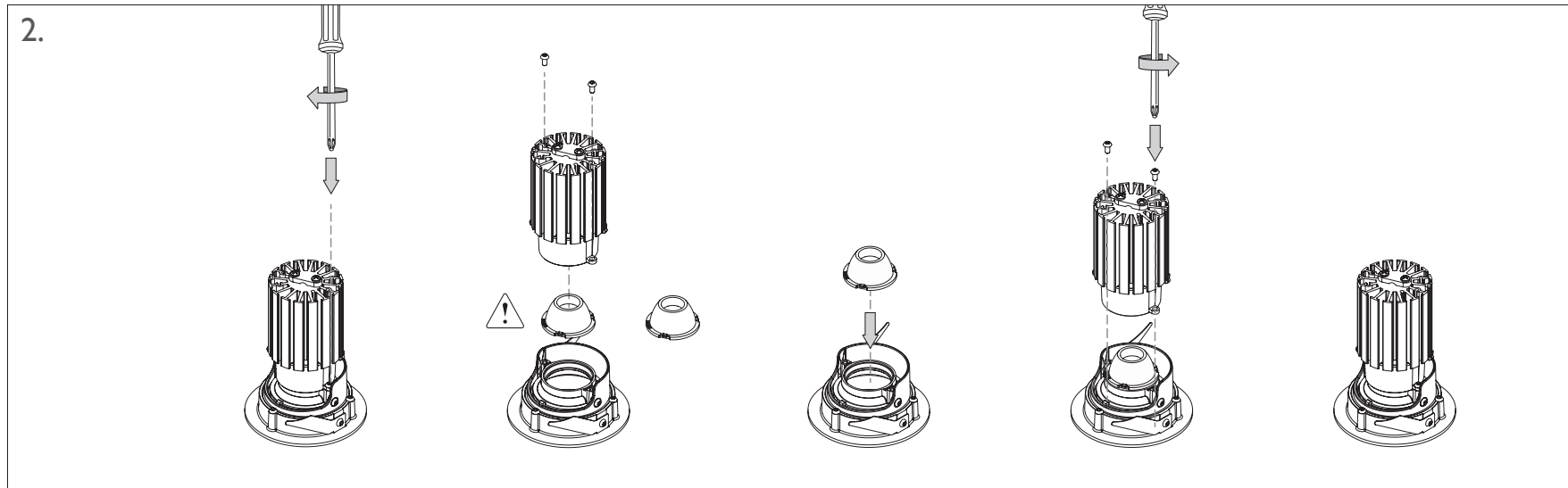
**WARNING** luminaire may be hot. Allow to cool before touching.

Use a 2mm tip sized hex head screwdriver or 2mm allen key to unscrew two screws located above the LED module and below the heat sink.

**WARNING** Be careful of the exposed LED board when removing or replacing the optic.

Remove optic and swap with new optic. Carefully place new optic over aperture hole.

Carefully align LED module using screw holes over aperture opening. Reinsert two screws into holes and screw in tightly.



**WARNING** Do not connect or disconnect under load.  
Ensure driver has not been powered for a minimum of 1 minute before reconnecting the LED module after disconnecting. Do not hot plug. Failure to follow this instruction will lead to serious damage of the LED module and driver and will not be covered by warranty.

**NOTE** Maintain correct polarity when wiring. Incorrect wiring will cause serious damage and will not be covered by warranty. Must be installed according to SELV regulations.  
Wire specification: 22 AWG,  $\phi 0.65\text{mm}$  diameter double insulated teflon wire.  
Red / White - Positive      Black - Negative

**NOTE** LED module is not site serviceable.  
Tampering will cause damage and will not be covered by warranty.

### 3. Adding an accessory

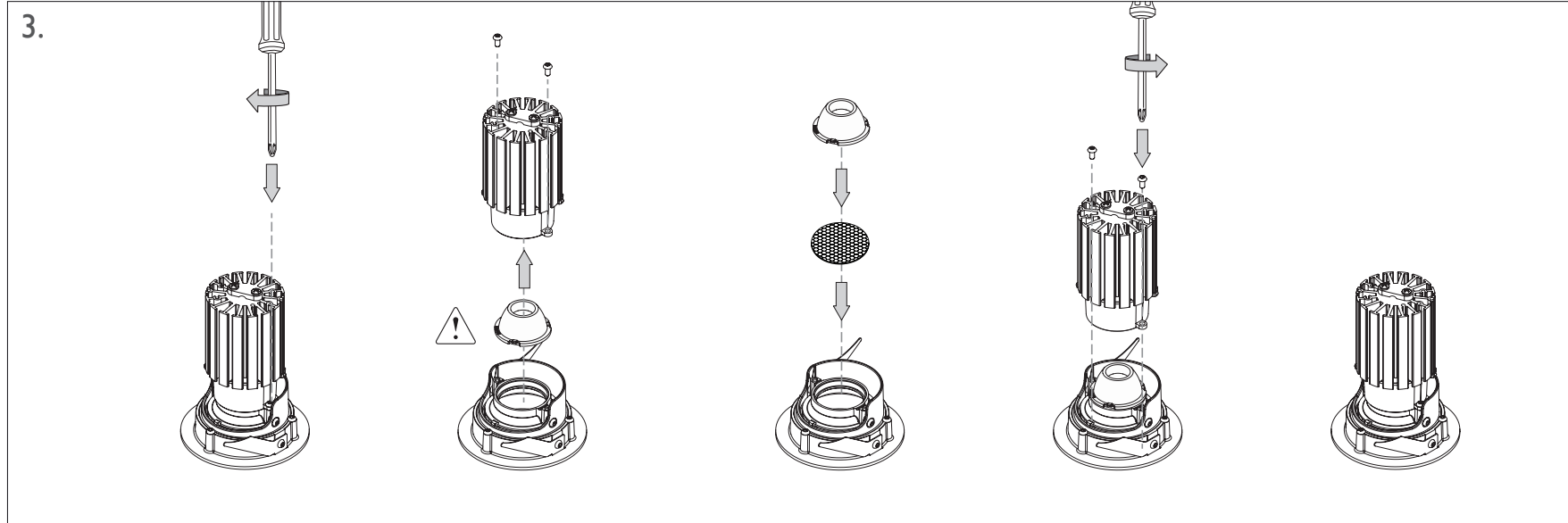
**WARNING** luminaire may be hot.  
Allow to cool before touching.

Use a 2mm tip sized hex head screwdriver or 2mm allen key to unscrew two screws located above the LED module and below the heat sink.

**WARNING** Be careful of the exposed LED board when removing or replacing the optic.

Remove optic and insert honeycomb louvre/accessory. Carefully place new optic over louvre/accessory and aperture hole.

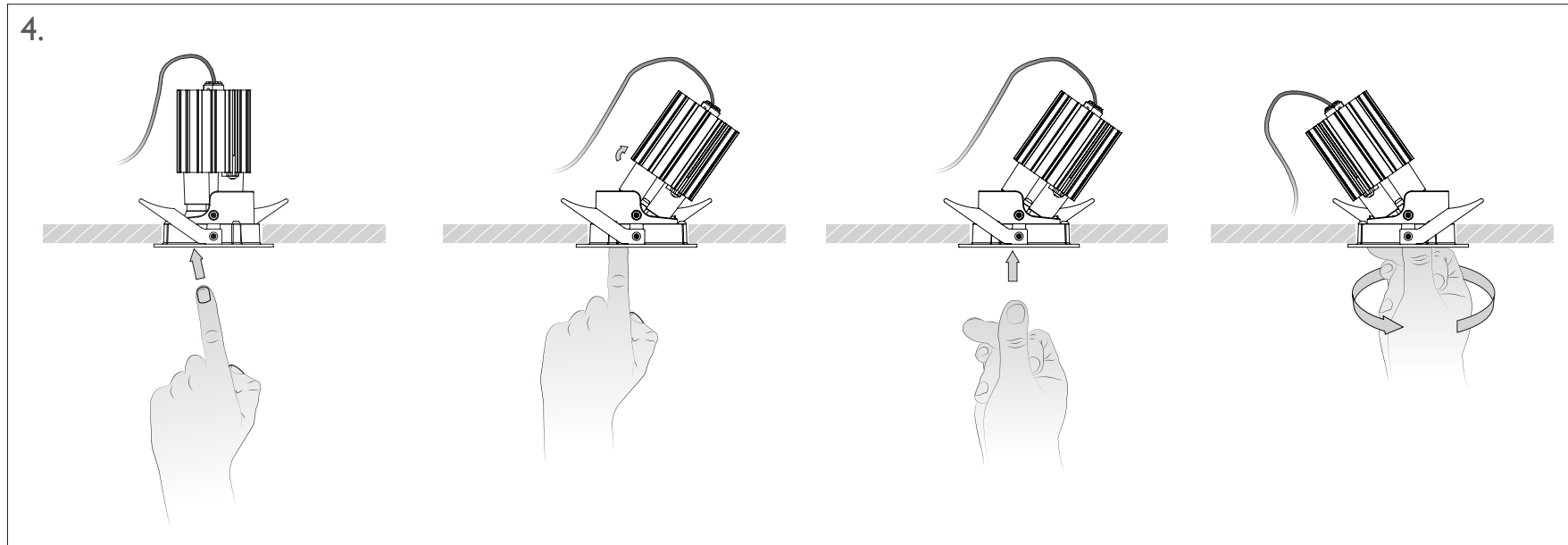
Carefully align LED module using screw holes over aperture opening. Reinsert two screws into holes and screw in tightly.



### 4. Adjusting tilt angle and direction

The module can be pushed inwards to tilt up to 35°.

To adjust pan, the LED module must be at full tilt and then make a pinch with your fingers. Use your finger tips to grip inside the aperture and twist to desired pan angle. Adjust tilt accordingly afterwards.



The IP54 version must be tilted before installation as the fixture has a glass piece in the aperture, which prevents post installation adjustment as the adjustment happens above the glass piece.