

LETO 24

TRIMLESS RECESSED LED DOWNLIGHT



Leto 24 - Recessed downlight. LETO 24 is a trimless recessed, square, wall-washer fixture that create an even, non-scalloped wall-washing effect.

Ordering Code

Fixture	607					
	1	2	3	4	5	6
Driver		607			--	--
	1	2	3	4	5	6

Product Specifications

SAMPLE: Fixture **607 - 90 - 618 - 27 - 07 - 01** | Driver **915 - 607 - STD - 120 - 90 - 07 - 01**

1 - Model	2 - LED	3 - Optic	4 - CCT	5 - Lumen	6 - Finish	1 - Housing Style
607 · Leto 24	A90 · 93+ CRI Accuracy	618 · 18°	25 · 2500K 27 · 2700K 30 · 3000K 35 · 3500K 40 · 4000K 65 · 6500K	07 · 700 (8.2W) 10 · 1000 (12.1W) 15 · 1500 (22W) 20 · 2000 (29.4W)	01 · White 02 · Black 08 · Silver XX · Custom	915 · New Construction

2 - Model	3 - Driver	Dim Level	Dim Level	4 - Line Voltage	5 - LED	6 - Lumen
607 · Leto 24	STD · Non Dimming LCS · 0 - 10 Volt Protocol DIM · Phase ^{*1} ELDOLC · EldoLED 0 - 10 Volt ^{*2} DALI · Dali Protocol ^{*2}	N/A 1% 10% 0.1% 0.1%	LUTES · Hilume Ecodigital ^{*2} LUT2W · 2 Wire for phase ^{*1/2} DMX · SENSO ^{*2} EMG · Emergency Driver ^{*2/3} CSMB · Casambi Wireless Control ^{*2/3}	1% 1%	120 · 120V 277 · 277V 347 · 347V ^{*4}	Same as Fixture Same as Fixture

*1 120V only
 *2 Requires remote housing
 *3 Specified separately
 *4 Not available with ELDO, Lutron or DMX

Project : _____
 Quantity : _____
 Type : _____
 Notes : _____



LETO 24

TRIMLESS RECESSED LED DOWNLIGHT

Photometrics

Senso's in-house photometric testing ensures that our lighting design can match your needs precisely. Our Goniophotometer and testing lab produces on-demand photometry files based on any specified fixture, including LM-79 Test reports, IES Files, and CRI/CCT measurements. See Sensolighting.com for more information.

**Full photometric Reports and IES files available for every configuration*

Color Metrics

TM 30-15

Our clients deserve the best information possible about their lighting choices. That's why Senso has invested in the Illuminating Engineering Society (IES) TM 30-15, a new system that measures an LED light source's color rendering properties. Using Senso's state-of-the-art goniophotometer, this method identifies the optimal light source for your project and helps evaluate the trade-offs between efficacy and color rendering. Senso can provide TM 30-15 data for all of our products.

**Full Color Metric Info Available at Sensolighting.com*

Light Engine

Output: up to 2000lm

High Efficacy: up to 74 lumen/Watt

Color Options (CCT): 2500K, 2700K, 3000K, 3500K, 4000K or 6500K

Color Consistency: Range within a 3-MacAdam Ellipse

Color rendering (CRI): 93+ CRI & 50+ R9 Value

Driver and Power Consumption

Dimming: 1% dimming standard with 0.1% option

Ripple: Industry leading Low ripple

Efficiency: Power Factor >0.9

Efficiency over 85%

Class 2 output for safety

Lumen Option	700lm	1000lm	1500lm	2000lm
Fixture Wattage	8.2W	12.1W	22W	29.4W
Delivered Lumen	613lm	906lm	1494lm	2043lm

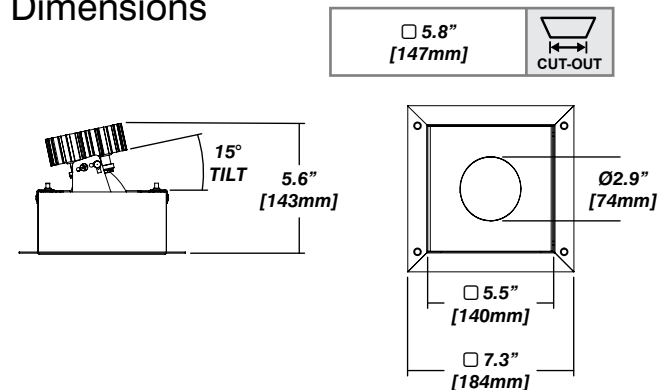
Installation

- For new installations only
- Simple connection between fixture and driver via quick connect
- 18° reflector with 18° fixed tilt angle

Construction / Finish

- Custom finishes are available
- Cast Aluminum Trim and Steel Casing
- Made in Canada

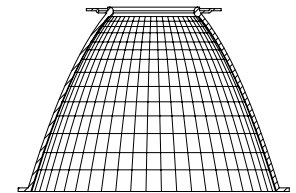
Dimensions



Reflector

Faceted Reflector

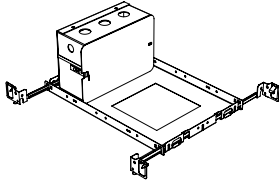
Senso metal spun reflectors for function, low glare and efficiency



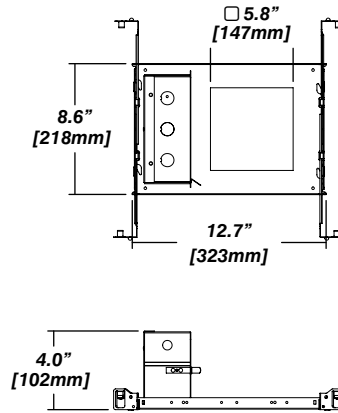
LETO 24

TRIMLESS RECESSED LED DOWNLIGHT
Housing Options

New Construction - 915



Dimension



Included

- Plaster Frame** • Galvanized steel construction with cut-out to
- Bar hanger** • Length: from 14-3/16" to 26"
- Security wire** • Flexible aircraft cable, 12" long
- Easy to clip snap body included