

LETO 11.5

PENDANT LED DOWNLIGHT



Leto 11.5 - Pendant LED Light. LETO 11.5 is a compact version of the full sized LETO 11. Packing the same power as the taller Body, LETO 11.5 can offer more discretion when planning your lighting, and allow for easier recessing into a ceiling structure.

Ordering Code

Fixture	697							
	1	2	3	4	5	6	7	8
Driver							--	--
	1	2	3	4	5	6	7	8

Product Specifications

SAMPLE: Fixture **697 - A90 - 610 - 27 - 07 - AR - 08 - 02** | Driver **952 - 08 - 00 - 01 - LCS - 120 - A90 - 07**

1 - Model	2 - LED	3 - Optic		4 - CCT	5 - Lumen	6 - Accessory
697 · Leto 11.5	A90 · 93+ CRI Accuracy	<i>Faceted</i>	<i>Smooth</i>	25 · 2500K 27 · 2700K 30 · 3000K 35 · 3500K 40 · 4000K 65 · 6500K	07 · 700 (6.1W) 10 · 1000 (9.1W) 15 · 1500 (14W) 20 · 2000 (19.8W)	00 · No Accessory AR · Acrylic Ring DL · Diffusing Lens HO · Honeycomb SL · Solite Lens
		610 · 10° 618 · 18° 630 · 30° 645 · 45° 660 · 60° 728 · 28° Glass Optic*1 748 · 48° Glass Optic*1	630S · 30° 645S · 45°			

7 - Body Color		8 - Baffle Color		1 - Canopy Style	2 - Canopy Color		3 - Suspension (6' incl.)
<i>Standard</i>	<i>Premium</i>	<i>Standard</i>	<i>Premium</i>	951 · Round 951F · Round Flangeless 952 · Square	<i>Standard</i>	<i>Premium</i>	00 · Feed Cable 01 · 1 Aircraft + Feed Cable 02 · 2 Aircraft + Feed Cable 03 · Solid Stem (6' MAX) 04 · Hang Straight Solid Stem 05 · 2 Powered Aircraft*2 <i>Contact Senso for custom length</i>
01 · White 02 · Black 08 · Silver	52 · Mocha 53 · Charcoal 54 · Cerulean 55 · Firebrick XX · RAL	01 · White 02 · Black 08 · Silver	52 · Mocha 53 · Charcoal 54 · Cerulean 55 · Firebrick XX · RAL		01 · White 02 · Black 08 · Silver	52 · Mocha 53 · Charcoal 54 · Cerulean 55 · Firebrick XX · RAL	

4 - Suspension Color	5 - Driver	Dim Level		6 - Voltage	7 - LED	8 - Lumen
00 · None*2 01 · White 02 · Black 03 · Clear XX · Custom	STD · Non Dimming LCS · 0 - 10 Volt Protocol DIM · Phase*3 ELDOLC · EldoLED 0 - 10 Volt*4 DALI · Dali Protocol*4	N/A 1% 1% 0.1% 0.1%	LUTES · Hilume Ecodigital*4 LUT2W · 2 Wire for phase*3/4 DMX · Senso*5 EMG · Emergency Driver*5/6 CSMB · Casambi Wireless Control*5/6	1% 1% 	120 · 120V 277 · 277V 347 · 347V*5/7	Same as Fixture Same as Fixture

*1 accessories not available / limited to 1500lm

*5 remote mount

*2 no feed cable color option for **05** - 2 Powered Aircraft

*6 second driver required

*3 120V only

*7 not available with ELDO, Lutron or DMX

*4 requires square canopy

LETO 11.5

PENDANT LED DOWNLIGHT

Canopy / Suspension

Round Canopy: W - Ø5.17" [131.24 mm] / H - 2.36" [60mm]

Drivers mounted in the Round Canopy: **STD, LCS, DIM**

Drivers remote mounted: **ELDOLC, DALI, LUTES, LUTW2, DMX, EMG, CSMB**

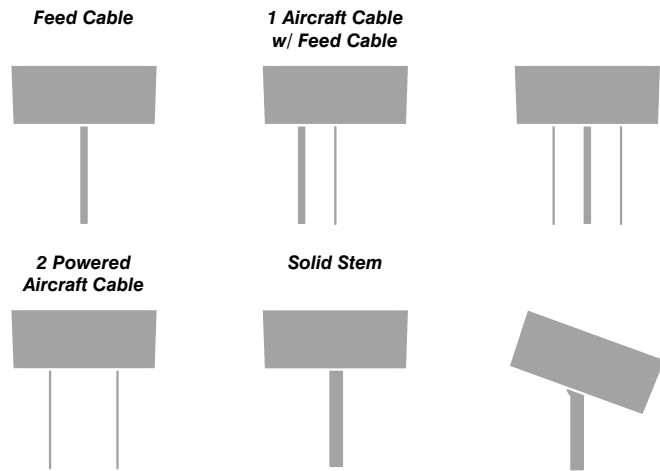
Square Canopy: W/L - 5.67" [144mm] / H - 2.28" [58mm]

Drivers mounted in the Square Canopy: **STD, LCS, DIM, ELDOLC, DALI, LUTES**

Drivers remote mounted: **DMX, EMG, CSMB**

Round Flangless: W - Ø2.53" [64.25 mm]

All drivers remote mount



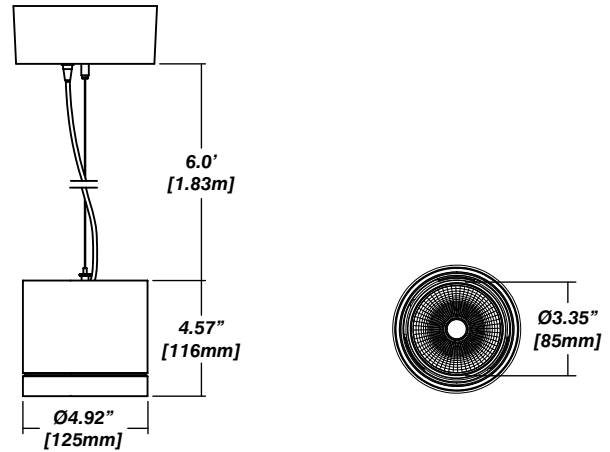
Installation

- The included canopy fits on a standard junction box
- Height adjustable aircraft cable, feed cable or solid stem suspension (specify height) included
- Electrical feed cable included

Construction / Finish

- High quality, scratch resistant powder coated finish in standard, premium or custom colors
- Aluminum extruded Body
- Made in Canada

Dimensions



Reflectors

Senso metal spun faceted reflectors are specifically designed to retain as much light as possible. This results in a more power efficient fixture with a higher delivered lumen.

Faceted Reflector

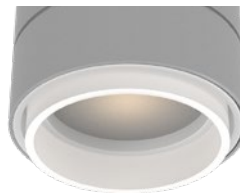


Domed Glass Optic



Accessories

Acrylic Ring



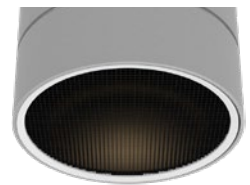
Diffusing Lens



Solite Lens



Honeycomb Mesh



LETO 11.5

PENDANT LED DOWNLIGHT

Photometrics

Senso's in-house photometric testing ensures that our lighting design can match your needs precisely. Our Goniophotometer and testing lab produces on-demand photometry files based on any specified fixture, including LM-79 Test reports, IES Files, and CRI/CCT measurements. See Sensolighting.com for more information.

**Full photometric Reports and IES files available for every configuration*

Color Metrics

TM 30-15

Our clients deserve the best information possible about their lighting choices. That's why Senso has invested in the Illuminating Engineering Society (IES) TM 30-15, a new system that measures an LED light source's color rendering properties. Using Senso's state-of-the-art goniophotometer, this method identifies the optimal light source for your project and helps evaluate the trade-offs between efficacy and color rendering. Senso can provide TM 30-15 data for all of our products.

**Full Color Metric Info Available at Sensolighting.com*

LED Module Performance

Output: Up to 106 lumen/Watt

Efficacy: Color consistency within a 3-MacAdam Ellipse

CCT: 2500K - 6500K

Color Rendering: 93+ CRI

Min. R Values: R⁹ - 60 R^f - 90 R⁹ - 100

Driver and Power Consumption

Dimming: 1% dimming standard with 0.1% option
Casambi wireless control available

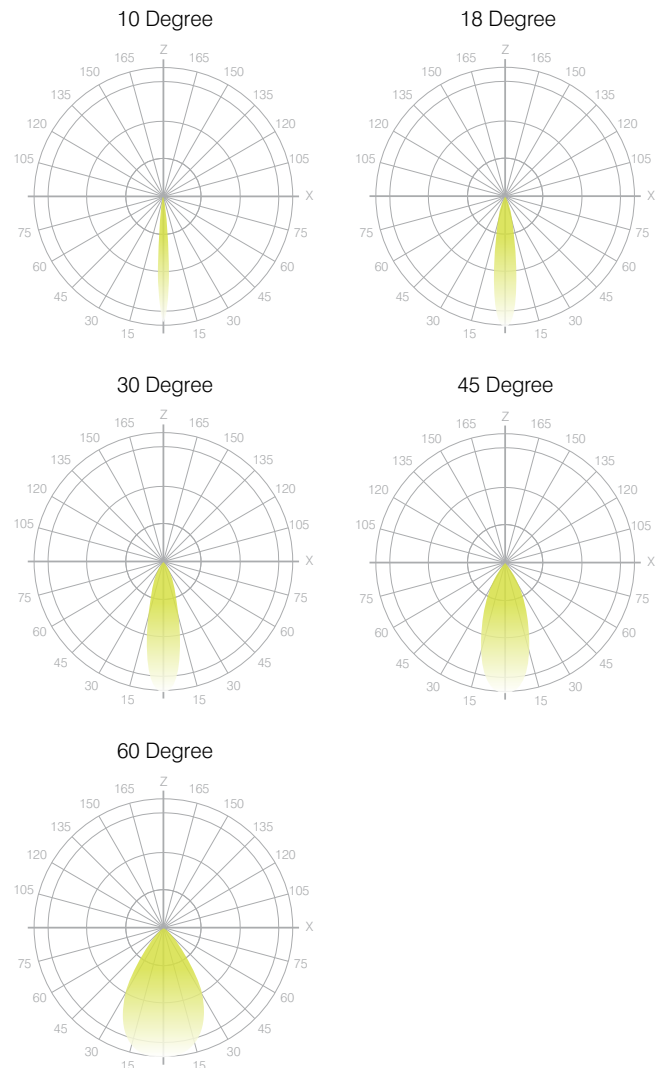
Ripple: Industry leading Low ripple

Efficiency: Power Factor >0.9
Efficiency over 85%
Class 2 output for safety

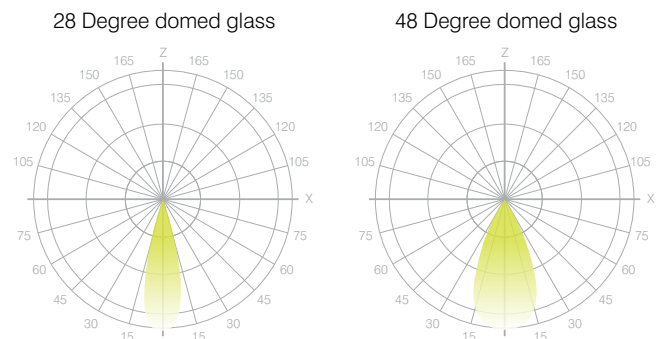
Installation: Remote mounted

Lumen Option	700lm	1000lm	1500lm	2000lm
Fixture Wattage	6.1W	9.1W	14W	19.8W
Delivered Lumen	647lm	965lm	1474lm	1889lm

Leto Light Distribution: Reflector



Leto Light Distribution: Glass Optic



LETO 11.5

PENDANT LED DOWNLIGHT

