

### Features

Kurba Small Horizontal is a direct view, small profile, energy efficient and flexible LED strip suitable for wet locations capable of horizontal/side bends up to 2" radius. Built with robust factory made power feeds or joiners, Kurba Small Horizontal mounts to a specifically designed aluminum extruded channel.

#### Applications

Outdoor wet location

#### Operating Voltage

24VDC

#### Operating Temperature

-4°F to 113°F (-20°C to 45°C)

#### Average Life

50,000 hours

#### Dimming

Low voltage dimmer and class 2 dimming power supply required

#### Approvals

Class 2 wet listed, IP65

#### Warranty

3 years



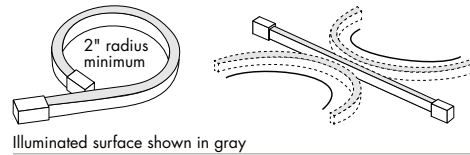
### Technical Information

Model	KBS	CCT INFO / LUMEN MULTIPLIER	
		Color Temperature	Multiplier (ref. -3000K)
LEDs/ft	44	2200K	0.98
Light Output at 3000K	58 lm/ft	2400K	1.00
Average Power Consumption at 4'	1.4 W/ft	2700K	1.01
Ordering Increment	3.28"	3000K	1.00
Maximum Run Length (In Series)	30 ft	3500K	1.08
		3000K	1.00
		4000K	1.04

### Constraints

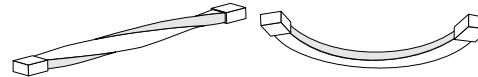
#### Bend Direction

Bend LED in these positions only to avoid damage



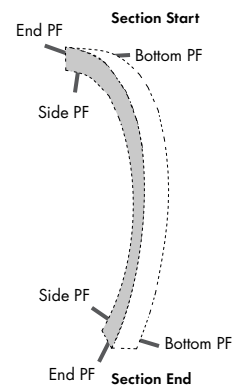
#### Prohibited Bends

Twisting or bending LED in these positions will cause damage



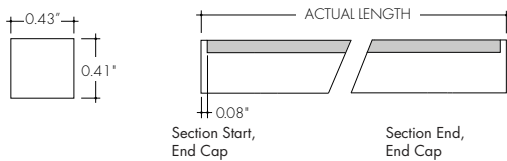
Note: for horizontal bends refer to Luminii KBM series  
Do not make sharp bends near the endcap

### Power Feed Locations

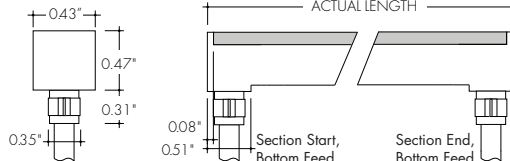


### Section Start/End Power Feed Options

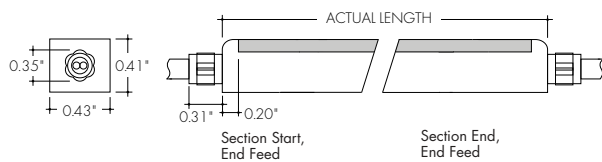
#### Injection Molded End Cap (IEC)



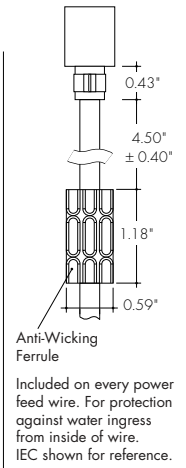
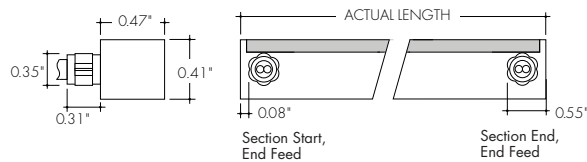
#### Injection Molded Bottom Power Feed (IBPF)



#### Injection Molded End Power Feed (IEPF)



#### Injection Molded Side Power Feed (ISPF)



### Ordering Code

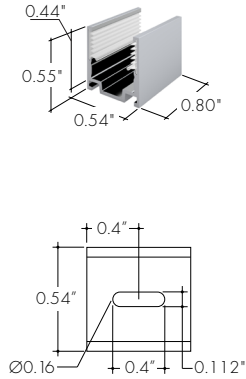
MODEL	CCT	SECTION START	SECTION END	ACTUAL LENGTH
KBS-FH -Kurba Small Flat, Horizontal Bend	22K-2200K 24K-2400K 27K-2700K 30K-3000K 35K-3500K 40K-4000K	IEC- Injection Molded End cap <sup>1</sup> IEPF- Injection Molded End power feed (9' wire lead) <sup>1</sup> IBPF- Injection Molded Bottom power feed (9' wire lead) <sup>1</sup> ISPF- Injection Molded Side power feed (9' wire lead) <sup>1, 2</sup>	IEC- Injection Molded End cap <sup>1</sup> IEPF- Injection Molded End power feed (9' wire lead) <sup>1</sup> IBPF- Injection Molded Bottom power feed (9' wire lead) <sup>1</sup> ISPF- Injection Molded Side power feed (9' wire lead) <sup>1, 2</sup>	See Power Consumption table on page 3 for available lengths

1 - 6-8 weeks lead time. Kurba injected-molded orders are non-cancellable. IEPF, IBPF, ISPF cannot be mixed and matched from Start to End except with IEC.  
2 - ISPF Side power feeds selected for both Section Start and End will be located on the same side of the strip.

**Mounting Accessories & Optional Connectors**

**MB-KBS-F-ST**

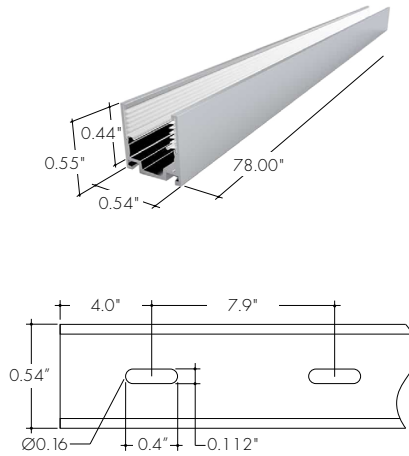
Mounting Bracket with Grip



Aluminum mounting bracket providing grip. For use with light strip mounted to the ceiling. 1 recommended every 8 in.

**MC-NFS-KBS-F-78**

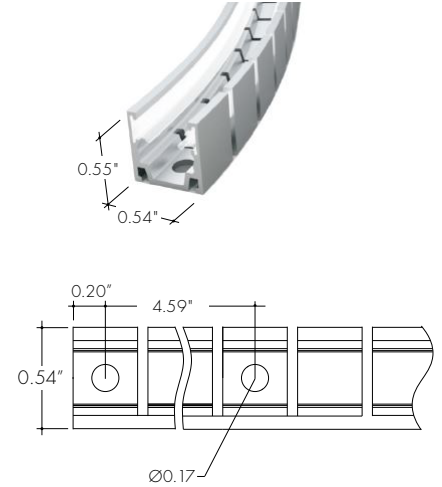
Mounting Channel with Grip, 78"



Aluminum mounting channel providing grip. For use with light strip mounted to the ceiling.

**MC-BNS-KBS-F-38**

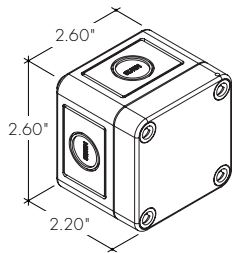
Bendable, Mounting Channel, 38"



Bendable aluminum mounting channel providing grip. For use with light strip mounted to the ceiling.

**LVSP-WET**

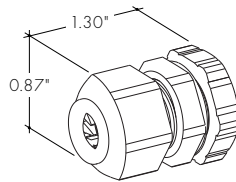
Splice Box



Wet rated, low voltage splice box, gray.

**LVSP-WET-CM**

Connector



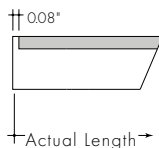
Low voltage splice box wet cable management, gray.

### Power Consumption Per Fixture Length

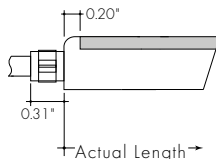
Based on operation with PDCU series of power supplies. Use Acutal Length for Order Code Entry  
 Tolerance for Actual Lengths less than 6 ft is +/- 0.2", Actual Lengths between 6 ft and 16 ft is +/- 0.3", and Actual Lengths greater than 16 ft is +/- 0.6"

Actual Length (in)					Actual Length (in)					Actual Length (in)					Actual Length (in)				
Nominal Length (in)	W	IEPF IEPF	IEC IEPF	IEC IBPF ISPF	Nominal Length (in)	W	IEPF IEPF	IEC IEPF	IEC IBPF ISPF	Nominal Length (in)	W	IEPF IEPF	IEC IEPF	IEC IBPF ISPF	Nominal Length (in)	W	IEPF IEPF	IEC IEPF	IEC IBPF ISPF
4	-	-	-	-	112	12.8	<b>111.9</b>	<b>111.8</b>	<b>111.7</b>	220	25.2	<b>220.2</b>	<b>220.1</b>	<b>220.0</b>	328	37.6	<b>328.5</b>	<b>328.4</b>	<b>328.2</b>
7	0.8	<b>7.0</b>	<b>6.8</b>	<b>6.7</b>	115	13.2	<b>115.2</b>	<b>115.1</b>	<b>115.0</b>	223	25.6	<b>223.5</b>	<b>223.4</b>	<b>223.2</b>	332	37.9	<b>331.8</b>	<b>331.6</b>	<b>331.5</b>
10	1.2	<b>10.2</b>	<b>10.1</b>	<b>10.0</b>	(10 ft) 118	13.5	<b>118.5</b>	<b>118.4</b>	<b>118.3</b>	(19 ft) 227	25.9	<b>226.8</b>	<b>226.6</b>	<b>226.5</b>	(28 ft) 335	38.3	<b>335.0</b>	<b>334.9</b>	<b>334.8</b>
(1 ft) 14	1.5	<b>13.5</b>	<b>13.4</b>	<b>13.3</b>	122	13.9	<b>121.8</b>	<b>121.7</b>	<b>121.5</b>	230	26.3	<b>230.0</b>	<b>229.9</b>	<b>229.8</b>	338	38.7	<b>338.3</b>	<b>338.2</b>	<b>338.1</b>
17	1.9	<b>16.8</b>	<b>16.7</b>	<b>16.6</b>	125	14.3	<b>125.1</b>	<b>124.9</b>	<b>124.8</b>	233	26.7	<b>233.3</b>	<b>233.2</b>	<b>233.1</b>	342	39.1	<b>341.6</b>	<b>341.5</b>	<b>341.4</b>
20	2.3	<b>20.1</b>	<b>20.0</b>	<b>19.8</b>	128	14.7	<b>128.3</b>	<b>128.2</b>	<b>128.1</b>	237	27.1	<b>236.6</b>	<b>236.5</b>	<b>236.4</b>	345	39.4	<b>344.9</b>	<b>344.8</b>	<b>344.6</b>
(2 ft) 23	2.7	<b>23.4</b>	<b>23.2</b>	<b>23.1</b>	(11 ft) 132	15.0	<b>131.6</b>	<b>131.5</b>	<b>131.4</b>	(20 ft) 240	27.4	<b>239.9</b>	<b>239.8</b>	<b>239.7</b>	(29 ft) 348	39.8	<b>348.2</b>	<b>348.0</b>	<b>347.9</b>
27	3.0	<b>26.6</b>	<b>26.5</b>	<b>26.4</b>	135	15.4	<b>134.9</b>	<b>134.8</b>	<b>134.7</b>	243	27.8	<b>243.2</b>	<b>243.1</b>	<b>242.9</b>	351	40.2	<b>351.4</b>	<b>351.3</b>	<b>351.2</b>
30	3.4	<b>29.9</b>	<b>29.8</b>	<b>29.7</b>	138	15.8	<b>138.2</b>	<b>138.1</b>	<b>137.9</b>	246	28.2	<b>246.5</b>	<b>246.3</b>	<b>246.2</b>	355	40.6	<b>354.7</b>	<b>354.6</b>	<b>354.5</b>
33	3.8	<b>33.2</b>	<b>33.1</b>	<b>33.0</b>	141	16.2	<b>141.5</b>	<b>141.4</b>	<b>141.2</b>	250	28.6	<b>249.7</b>	<b>249.6</b>	<b>249.5</b>	358	40.9	<b>358.0</b>	<b>357.9</b>	<b>357.8</b>
(3 ft) 36	4.2	<b>36.5</b>	<b>36.4</b>	<b>36.2</b>	(12 ft) 145	16.5	<b>144.8</b>	<b>144.6</b>	<b>144.5</b>	(21 ft) 253	28.9	<b>253.0</b>	<b>252.9</b>	<b>252.8</b>	(30 ft) 361	41.3	<b>361.3</b>	<b>361.2</b>	<b>361.0</b>
40	4.5	<b>39.8</b>	<b>39.6</b>	<b>39.5</b>	148	16.9	<b>148.0</b>	<b>147.9</b>	<b>147.8</b>	256	29.3	<b>256.3</b>	<b>256.2</b>	<b>256.1</b>	Note: all values are rounded to the nearest 0.1 inch				
43	4.9	<b>43.0</b>	<b>42.9</b>	<b>42.8</b>	151	17.3	<b>151.3</b>	<b>151.2</b>	<b>151.1</b>	260	29.7	<b>259.6</b>	<b>259.5</b>	<b>259.3</b>					
46	5.3	<b>46.3</b>	<b>46.2</b>	<b>46.1</b>	(13 ft) 155	17.7	<b>154.6</b>	<b>154.5</b>	<b>154.4</b>	(22 ft) 263	30.1	<b>262.9</b>	<b>262.7</b>	<b>262.6</b>					
(4 ft) 50	5.7	<b>49.6</b>	<b>49.5</b>	<b>49.4</b>	158	18.0	<b>157.9</b>	<b>157.8</b>	<b>157.6</b>	266	30.4	<b>266.1</b>	<b>266.0</b>	<b>265.9</b>					
53	6.0	<b>52.9</b>	<b>52.8</b>	<b>52.7</b>	161	18.4	<b>161.2</b>	<b>161.0</b>	<b>160.9</b>	269	30.8	<b>269.4</b>	<b>269.3</b>	<b>269.2</b>					
56	6.4	<b>56.2</b>	<b>56.1</b>	<b>55.9</b>	164	18.8	<b>164.4</b>	<b>164.3</b>	<b>164.2</b>	273	31.2	<b>272.7</b>	<b>272.6</b>	<b>272.5</b>					
(5 ft) 59	6.8	<b>59.5</b>	<b>59.3</b>	<b>59.2</b>	(14 ft) 168	19.2	<b>167.7</b>	<b>167.6</b>	<b>167.5</b>	(23 ft) 276	31.6	<b>276.0</b>	<b>275.9</b>	<b>275.7</b>					
63	7.2	<b>62.7</b>	<b>62.6</b>	<b>62.5</b>	171	19.5	<b>171.0</b>	<b>170.9</b>	<b>170.8</b>	279	31.9	<b>279.3</b>	<b>279.1</b>	<b>279.0</b>					
66	7.5	<b>66.0</b>	<b>65.9</b>	<b>65.8</b>	174	19.9	<b>174.3</b>	<b>174.2</b>	<b>174.0</b>	282	32.3	<b>282.5</b>	<b>282.4</b>	<b>282.3</b>					
69	7.9	<b>69.3</b>	<b>69.2</b>	<b>69.1</b>	178	20.3	<b>177.6</b>	<b>177.4</b>	<b>177.3</b>	286	32.7	<b>285.8</b>	<b>285.7</b>	<b>285.6</b>					
(6 ft) 73	8.3	<b>72.6</b>	<b>72.5</b>	<b>72.3</b>	(15 ft) 181	20.7	<b>180.8</b>	<b>180.7</b>	<b>180.6</b>	(24 ft) 289	33.1	<b>289.1</b>	<b>289.0</b>	<b>288.9</b>					
76	8.7	<b>75.9</b>	<b>75.7</b>	<b>75.6</b>	184	21.1	<b>184.1</b>	<b>184.0</b>	<b>183.9</b>	292	33.4	<b>292.4</b>	<b>292.3</b>	<b>292.1</b>					
79	9.0	<b>79.1</b>	<b>79.0</b>	<b>78.9</b>	187	21.4	<b>187.4</b>	<b>187.3</b>	<b>187.2</b>	296	33.8	<b>295.7</b>	<b>295.5</b>	<b>295.4</b>					
(7 ft) 82	9.4	<b>82.4</b>	<b>82.3</b>	<b>82.2</b>	(16 ft) 191	21.8	<b>190.7</b>	<b>190.6</b>	<b>190.4</b>	(25 ft) 299	34.2	<b>298.9</b>	<b>298.8</b>	<b>298.7</b>					
86	9.8	<b>85.7</b>	<b>85.6</b>	<b>85.5</b>	194	22.2	<b>194.0</b>	<b>193.8</b>	<b>193.7</b>	302	34.6	<b>302.2</b>	<b>302.1</b>	<b>302.0</b>					
89	10.2	<b>89.0</b>	<b>88.9</b>	<b>88.7</b>	197	22.6	<b>197.2</b>	<b>197.1</b>	<b>197.0</b>	305	34.9	<b>305.5</b>	<b>305.4</b>	<b>305.3</b>					
92	10.5	<b>92.3</b>	<b>92.1</b>	<b>92.0</b>	200	22.9	<b>200.5</b>	<b>200.4</b>	<b>200.3</b>	309	35.3	<b>308.8</b>	<b>308.7</b>	<b>308.5</b>					
(8 ft) 96	10.9	<b>95.5</b>	<b>95.4</b>	<b>95.3</b>	(17 ft) 204	23.3	<b>203.8</b>	<b>203.7</b>	<b>203.6</b>	(26 ft) 312	35.7	<b>312.1</b>	<b>311.9</b>	<b>311.8</b>					
99	11.3	<b>98.8</b>	<b>98.7</b>	<b>98.6</b>	207	23.7	<b>207.1</b>	<b>207.0</b>	<b>206.8</b>	315	36.1	<b>315.3</b>	<b>315.2</b>	<b>315.1</b>					
102	11.7	<b>102.1</b>	<b>102.0</b>	<b>101.9</b>	210	24.1	<b>210.4</b>	<b>210.2</b>	<b>210.1</b>	319	36.4	<b>318.6</b>	<b>318.5</b>	<b>318.4</b>					
105	12.0	<b>105.4</b>	<b>105.3</b>	<b>105.1</b>	214	24.4	<b>213.6</b>	<b>213.5</b>	<b>213.4</b>	322	36.8	<b>321.9</b>	<b>321.8</b>	<b>321.7</b>					
(9 ft) 109	12.4	<b>108.7</b>	<b>108.5</b>	<b>108.4</b>	(18 ft) 217	24.8	<b>216.9</b>	<b>216.8</b>	<b>216.7</b>	(27 ft) 325	37.2	<b>325.2</b>	<b>325.1</b>	<b>325.0</b>					

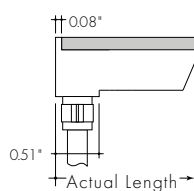
Injection Molded End Cap (IEC)



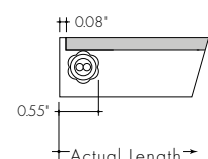
Injection Molded End Power Feed (IEPF)



Injection Molded Bottom Power Feed (IBPF)



Injection Molded Side Power Feed (ISPF)



## Power Supplies

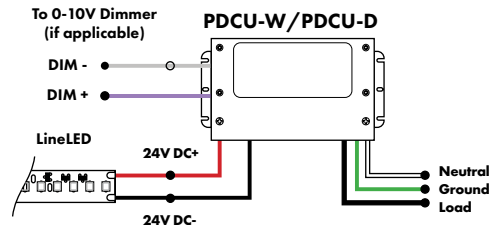
See Power Supply instructions and spec sheet for wiring information. For a complete list of compatible dimmers, see Compatible Dimming Chart on the Resources page.

### Universal Power Supply 1% 120VAC - 277VAC

MODEL	POWER	OUTPUT
PDCU-D - IP20 Dry Series	30 - 30 W 60 - 60 W 96 - 96 W 3X96 - 3X96 W	24 - 24 VDC

PDCU-W - IP66 Wet Series	96 - 96 W 3X96 - 3X96 W	
--------------------------	----------------------------	--

0-10V dims down to 1%, MLV/ELV/TRIAC dims down to 1%.  
For a complete list of compatible dimmers, see [Compatible Dimming Chart](#) on the Resources page.

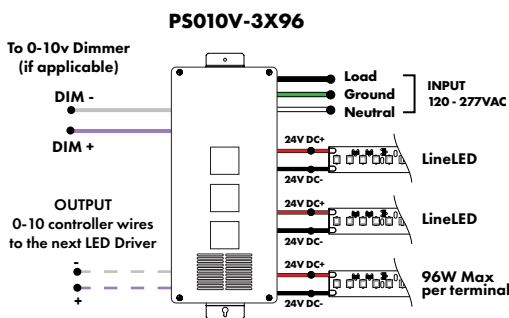
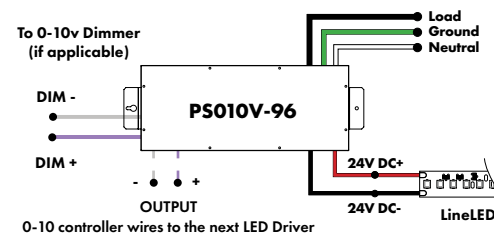


MODELS	PDCU-W 96W	PDCU-W 3X96W	PDCU-D 30W	PDCU-D 60W	PDCU-D 96W	PDCU-D 3X96W
<b>Length</b>	8.66"	11.85"	6.10"	7.93"	8.25"	9.57"
<b>Width</b>	3.73"	4.32"	3.35"	3.35"	4.10"	5.94"
<b>Depth</b>	1.61"	1.81"	1.33"	1.32"	1.56"	1.13"

### 0-10V Dimming Power Supplies 0.1% 120VAC - 277VAC

MODEL	POWER	OUTPUT	DIMMING
PS010V - 0-10V Power Supply dims down to 0.1%	96 - 96 Watt 3X96 - 3 X 96 Watt	24 - 24 VDC	LIN - Linear LOG - Logarithmic

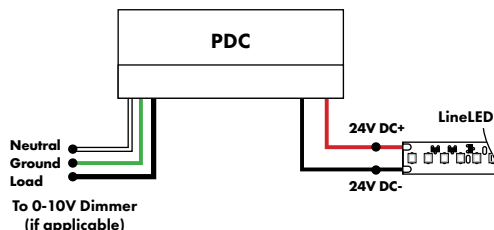
MODELS	96W	3X96
<b>Length</b>	14.40"	15.75"
<b>Width</b>	5.20"	6.62"
<b>Depth</b>	2.60"	4.95"



### Triac, MLV, & ELV Compatible Dimmers

MODEL	POWER	OUTPUT
PDC - (IP20) Power Supply	96 - 96 Watts	24 - 24 VDC

MODELS	96W
<b>Length</b>	8.25"
<b>Width</b>	4.10"
<b>Depth</b>	1.56"



## Power Supplies

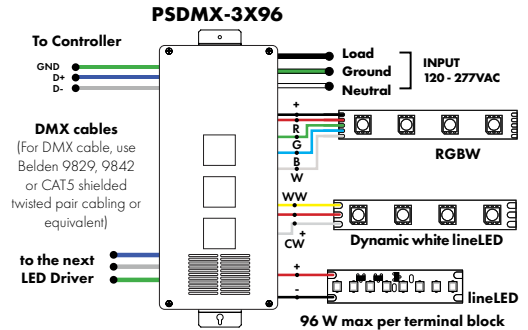
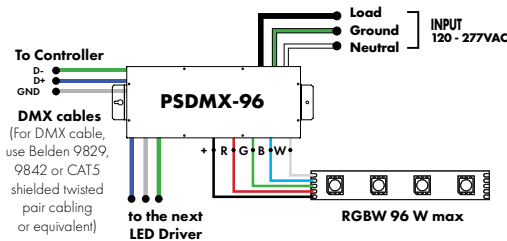
See Power Supply instructions and spec sheet for wiring information. For a complete list of compatible dimmers, see Compatible Dimming Chart on the Resources page.

### DMX Dimming Power Supplies 120VAC - 277VAC

MODEL	POWER	OUTPUT
PSDMX - DMX Power Supply dims down to 0%	96 - 96 Watt 3X96 - 3 X 96 Watt	24 - 24 VDC

Features eldoLED's LINEARdrive configurable dimmable drivers

MODELS	96W	3X96
<b>Length</b>	14.40"	15.75"
<b>Width</b>	5.20"	6.62"
<b>Depth</b>	2.60"	4.95"

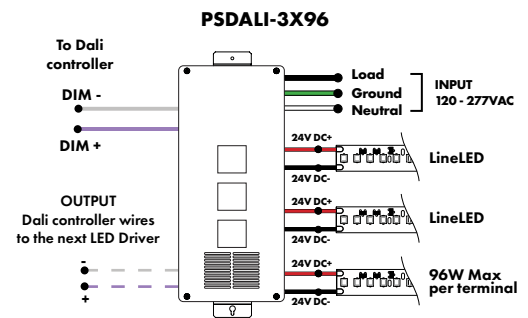
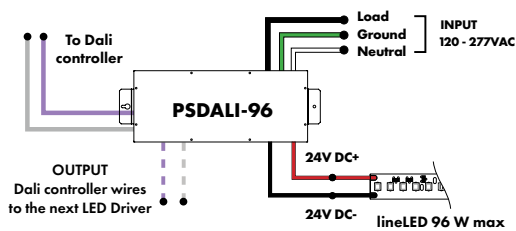


### DALI 0% Dimming Power Supplies 120VAC - 277VAC

MODEL	POWER	OUTPUT
PSDALI - DALI Power Supply dims down to 0%	96 - 96 Watt 3X96 - 3 X 96 Watt	24 - 24 VDC

Features eldoLED's LINEARdrive configurable dimmable drivers

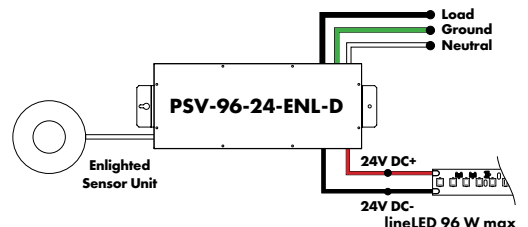
Model	96W	3X96
<b>Length</b>	14.40"	15.75"
<b>Width</b>	5.20"	6.62"
<b>Depth</b>	2.60"	4.95"



### Enlighted Enabled Dimming Power Supplies 120VAC - 277VAC

MODEL	POWER	OUTPUT	DIMMING	LOCATION
PSV - PSV Series	96 - 96 Watt	24 - 24 VDC	ENL - Enlighted Dimming dims down to 0%	D - Damp

<b>Model</b>	<b>96W</b>
<b>Length</b>	14.40"
<b>Width</b>	5.20"
<b>Depth</b>	2.60"



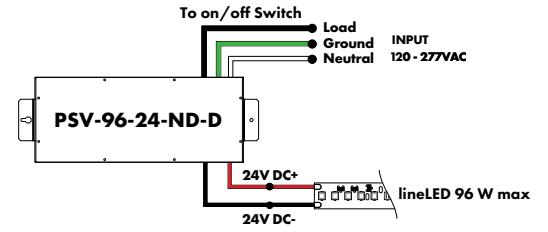
### Power Supplies

See Power Supply instructions and spec sheet for wiring information. For a complete list of compatible dimmers, see Compatible Dimming Chart on the Resources page.

#### Non-Dimming Power Supply 120VAC - 277VAC

MODEL	POWER	OUTPUT	DIMMING	LOCATION
PSV - PSV Series	96 - 96 Watt	24 - 24 VDC	ND - Non Dimming	D - Damp

MODELS	96W
Length	14.40"
Width	5.20"
Depth	2.60"



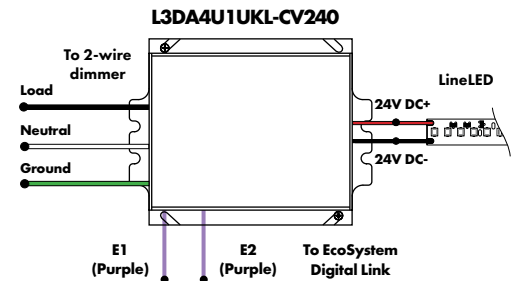
Luminii is a Lutron OEM Advantage Partner

#### Lutron Power Supplies 1%

MODEL
L3DA4U1UKL-CV240

HiLume™ 1% EcoSystem Voltage LED driver  
40W max

MODELS	L3DA4U1UKL-CV240
Length	4.98"
Width	4.00"
Depth	2.62"



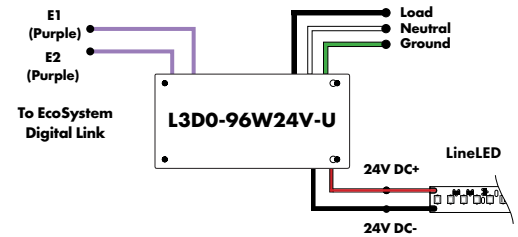
Luminii is a Lutron OEM Advantage Partner

#### Lutron Power Supplies 0.1%

MODEL
L3D0-96W24V-U

HiLume™ 0.1% EcoSystem Voltage LED Driver with Soft-On, Fade-to-Black™  
96W max

MODELS	L3D0
Length	10.50"
Width	5.50"
Depth	2.00"



#### In-Ground Power Supplies

MODEL	POWER	OUTPUT	INPUT
IG - In ground CVE Series CVE - ELV Dimming DALI - eldoLED Dali dimming Both dims down to 0%	96X2 - 2 X 96 Watt	24 - 24 VDC	Blank - 120 V 277 - 240/277 V

MODELS	Dual Circuit
Length	8.40"
Width	8.30"
Depth	8.10"

