

Installation Instructions for Basics

Models BA42WET

Please read all instructions prior to installation and keep for future reference!

1. Product should be installed by a qualified electrician.
2. Prior to installation ensure power is off at fuse box to prevent electrical shock.
3. Use only with Class 2 power unit. Utiliser seulement avec Classe 2 unite d'alimentation electrique.
4. Suitable for wet Locations. Convient Aux Emplacements Humides.
5. For under-cabinet or shelf mount.
6. Conforms to UL STD 2108. Certified to CSA STD C22.2 No.250.0.



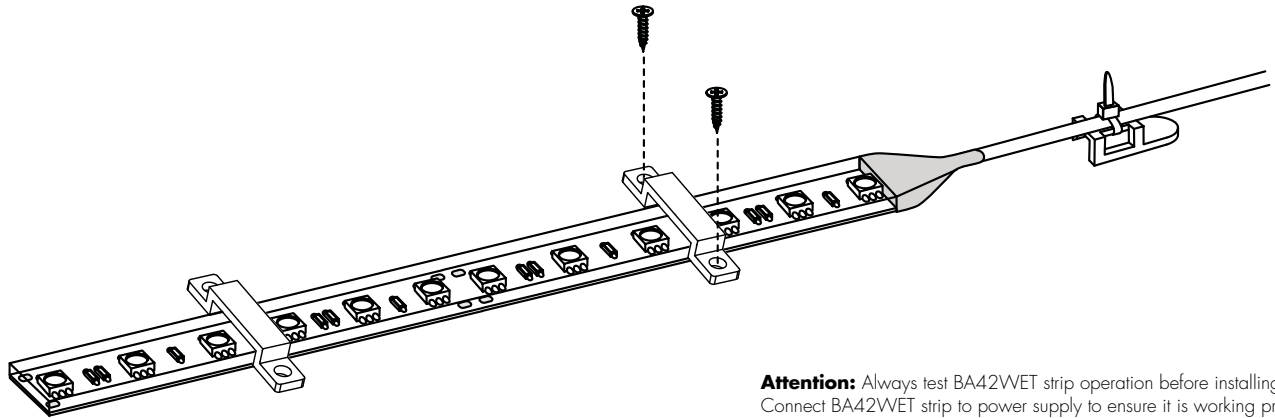
REVO.1
02222024

1 / 7

B basics
by luminii

7777 Merrimac Ave
Niles, IL 60714
T 224.333.6033
F 224.757.7557
info@luminii.com
www.luminii.com

Installation directly to mounting surface with factory lead wire



Attention: Always test BA42WET strip operation before installing. Connect BA42WET strip to power supply to ensure it is working properly and no damage has occurred during shipping.

1

LED strip

factory lead wire

solder pads

1.1 If length of BA42WET strip needs to be shortened on the job site, simply cut the LED strip in the between solder pads. Always cut from the end with no wire leads.

EC-10MM-WET

EC-10MM-WET

SIL-502-RTV
Silicone Sealant

1.2 If the cut end doesn't need a powerfeed connector, insert the silicone end cap (EC-10MM-WET) over the BA42WET LED strip and add silicone (SIL-502-RTV) to water proof seal the end.

Installation Instructions for Basics

Models BA42WET

Please read all instructions prior to installation and keep for future reference!

1. Product should be installed by a qualified electrician.
2. Prior to installation ensure power is off at fuse box to prevent electrical shock.
3. Use only with Class 2 power unit. Utiliser seulement avec Classe 2 unite d'alimentation electrique.
4. Suitable for wet Locations. Convient Aux Emplacements Humides.
5. For under-cabinet or shelf mount.
6. Conforms to UL STD 2108. Certified to CSA STD C22.2 No.250.0.



REVO.1
02222024

2 / 7

B basics
by luminii

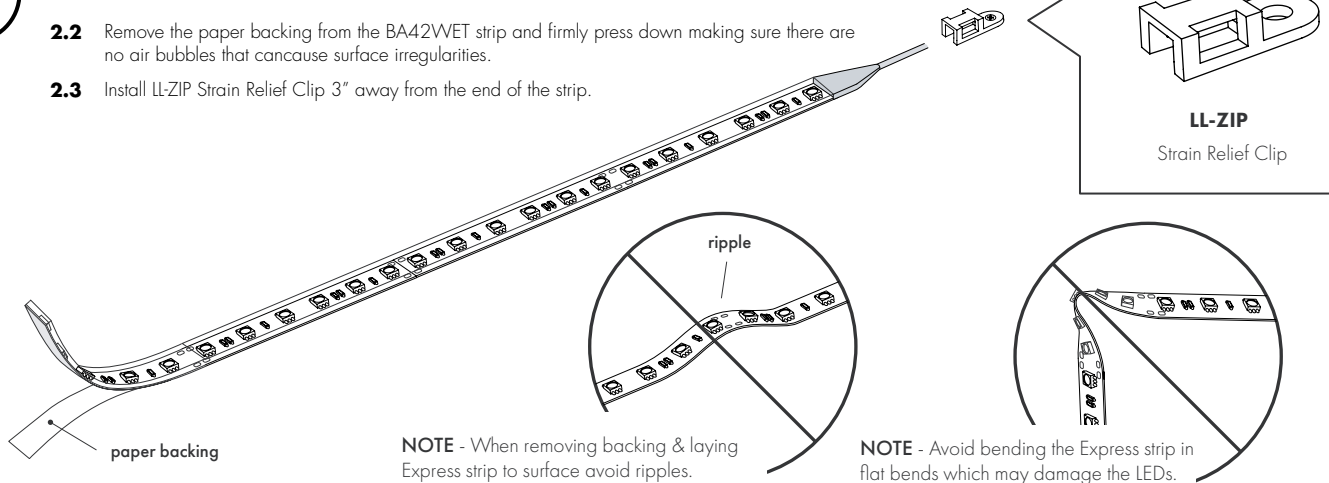
7777 Merrimac Ave
Niles, IL 60714
T 224.333.6033
F 224.757.7557
info@luminii.com
www.luminii.com

2

2.1 Clean the area thoroughly where the BA42WET strip will be installed.

2.2 Remove the paper backing from the BA42WET strip and firmly press down making sure there are no air bubbles that can cause surface irregularities.

2.3 Install LL-ZIP Strain Relief Clip 3" away from the end of the strip.

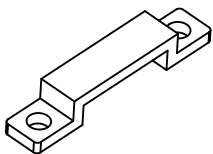


3

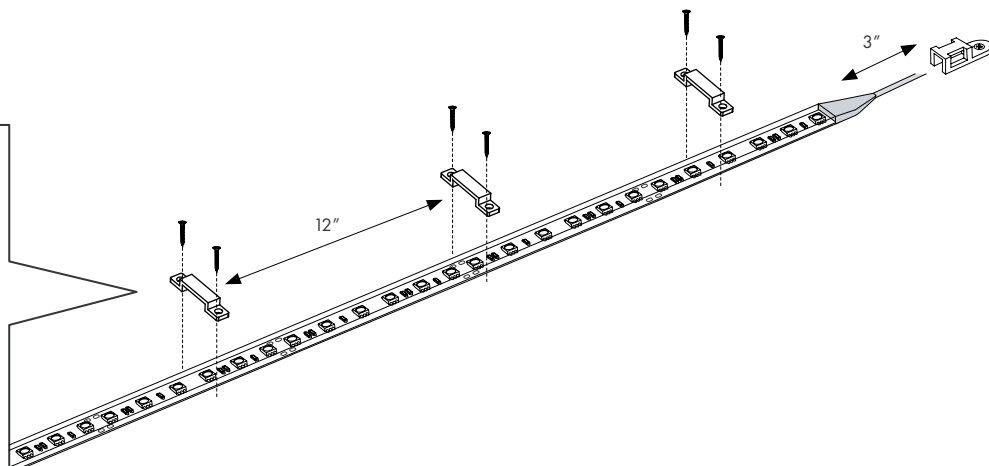
3.1 Install one CL2 mounting clip every 12", in between the LED diodes.

3.2 Secure using the provided screws.

Note: Recommended to be used when LineLED installed on textured or on a non-stick surface.



CL2
Mounting Clip



Installation Instructions for Basics

Models BA42WET

Please read all instructions prior to installation and keep for future reference!

1. Product should be installed by a qualified electrician.
2. Prior to installation ensure power is off at fuse box to prevent electrical shock.
3. Use only with Class 2 power unit. Utiliser seulement avec Classe 2 unite d'alimentation électrique.
4. Suitable for wet Locations. Convient Aux Emplacements Humides.
5. For under-cabinet or shelf mount.
6. Conforms to UL STD 2108. Certified to CSA STD C22.2 No.250.0.



REVO.1
02222024

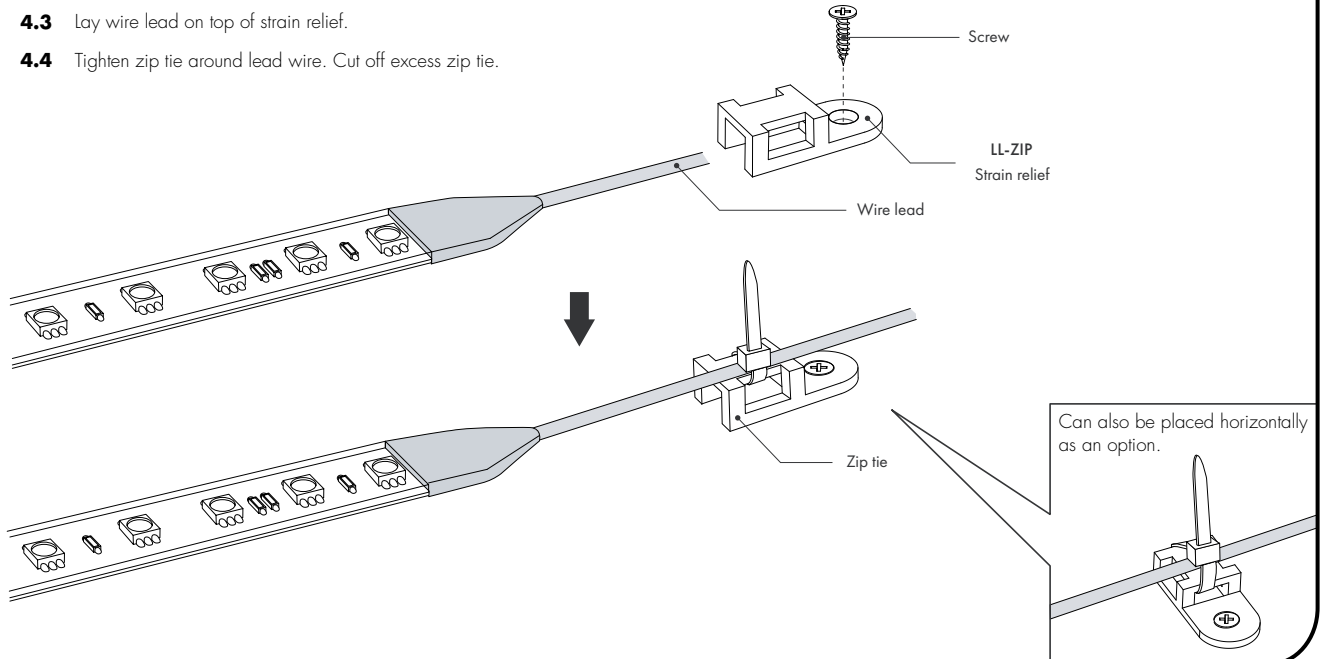
3 / 7

B basics
by luminii

7777 Merrimac Ave
Niles, IL 60714
T 224.333.6033
F 224.757.7557
info@luminii.com
www.luminii.com

4

- 4.1 Place the strain relief in desired place. Make sure it is 3" away from the end of the strip.
- 4.2 Slide the ziptie through strain relief opening.
- 4.3 Lay wire lead on top of strain relief.
- 4.4 Tighten zip tie around lead wire. Cut off excess zip tie.



Installation Instructions for Basics

Models BA42WET

Please read all instructions prior to installation and keep for future reference!

1. Product should be installed by a qualified electrician.
2. Prior to installation ensure power is off at fuse box to prevent electrical shock.
3. Use only with Class 2 power unit. Utiliser seulement avec Classe 2 unite d'alimentation electrique.
4. Suitable for wet Locations. Convient Aux Emplacements Humides.
5. For under-cabinet or shelf mount.
6. Conforms to UL STD 2108. Certified to CSA STD C22.2 No.250.0.



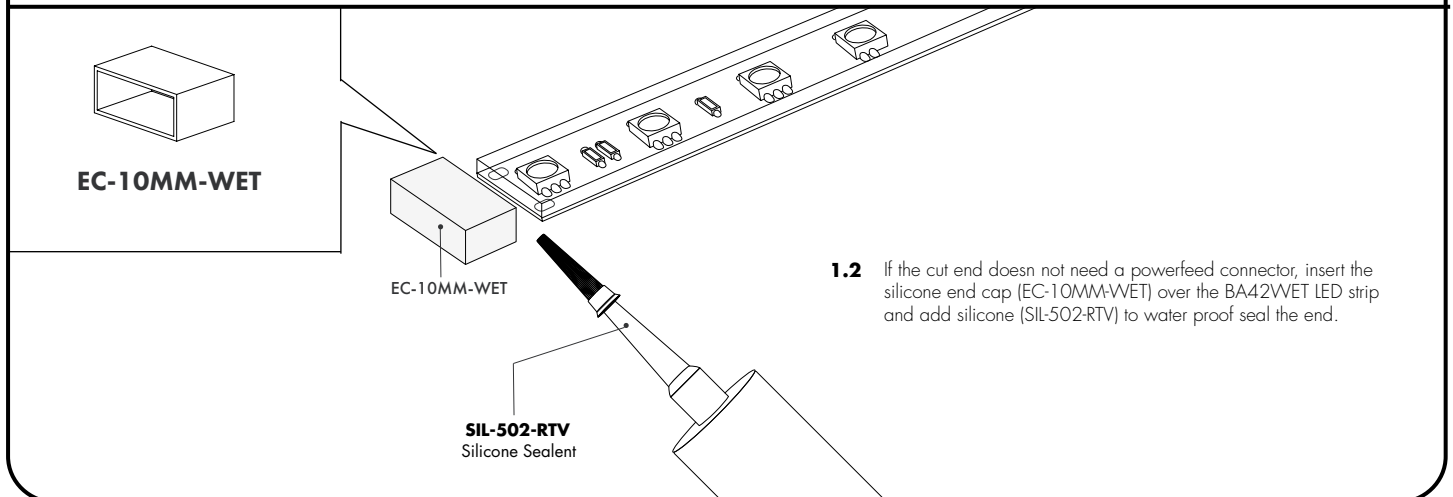
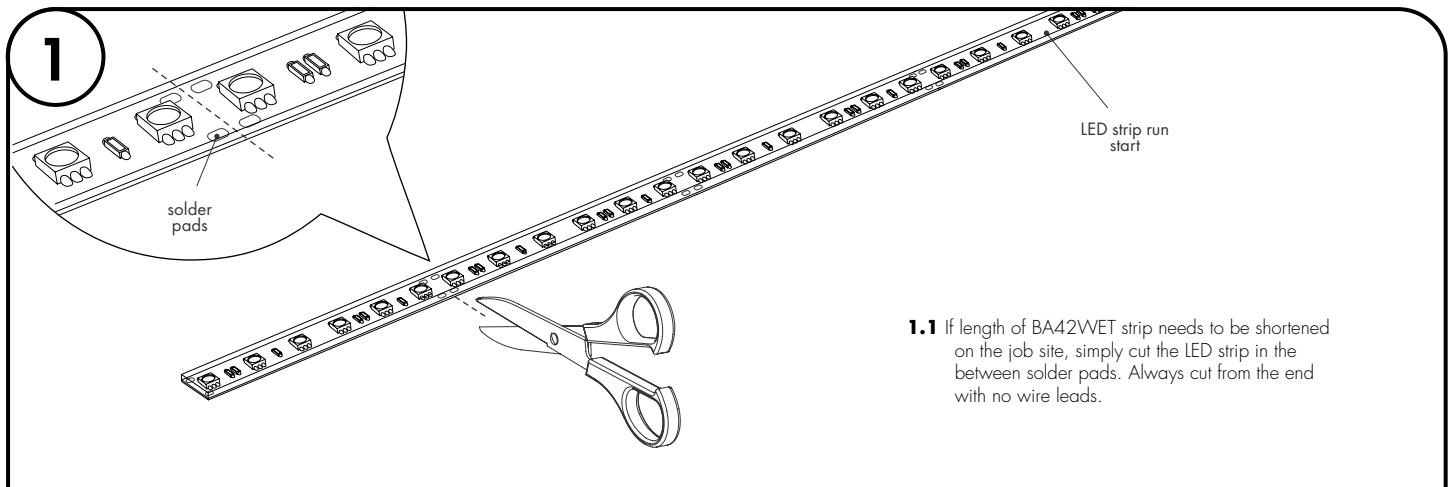
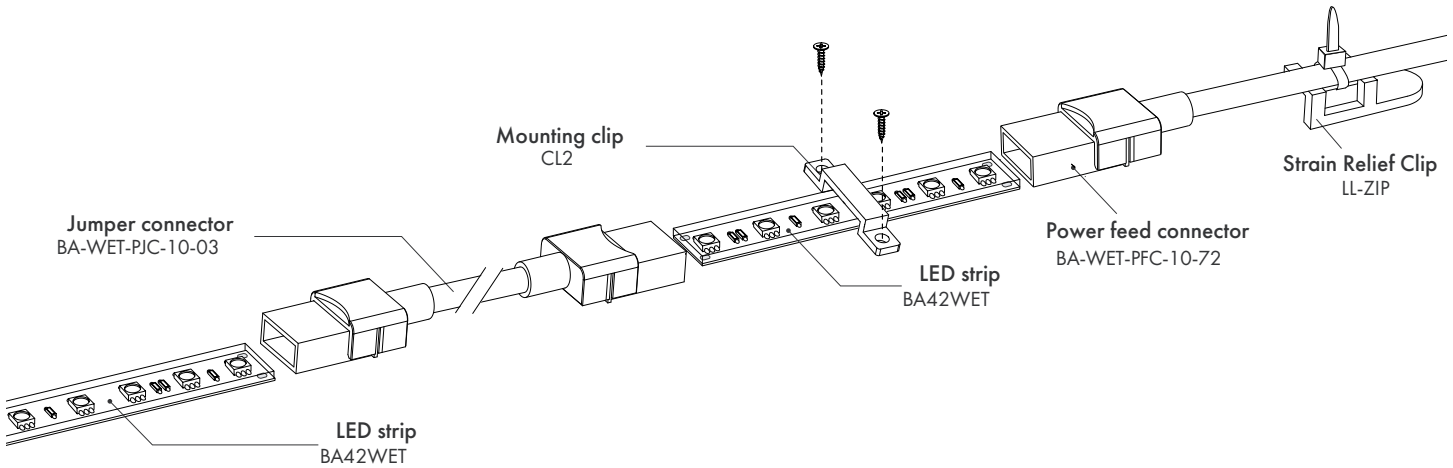
REVO.1
02222024

4 / 7

B basics
by luminii

7777 Merrimac Ave
Niles, IL 60714
T 224.333.6033
F 224.757.7557
info@luminii.com
www.luminii.com

Installation Directly to Mounting Surface using BA Connectors



Installation Instructions for Basics

Models BA42WET

Please read all instructions prior to installation and keep for future reference!

1. Product should be installed by a qualified electrician.
2. Prior to installation ensure power is off at fuse box to prevent electrical shock.
3. Use only with Class 2 power unit. Utiliser seulement avec Classe 2 unite d'alimentation electrique.
4. Suitable for wet Locations. Convient Aux Emplacements Humides.
5. For under-cabinet or shelf mount.
6. Conforms to UL STD 2108. Certified to CSA STD C22.2 No.250.0.



REVO.1
02222024

5 / 7

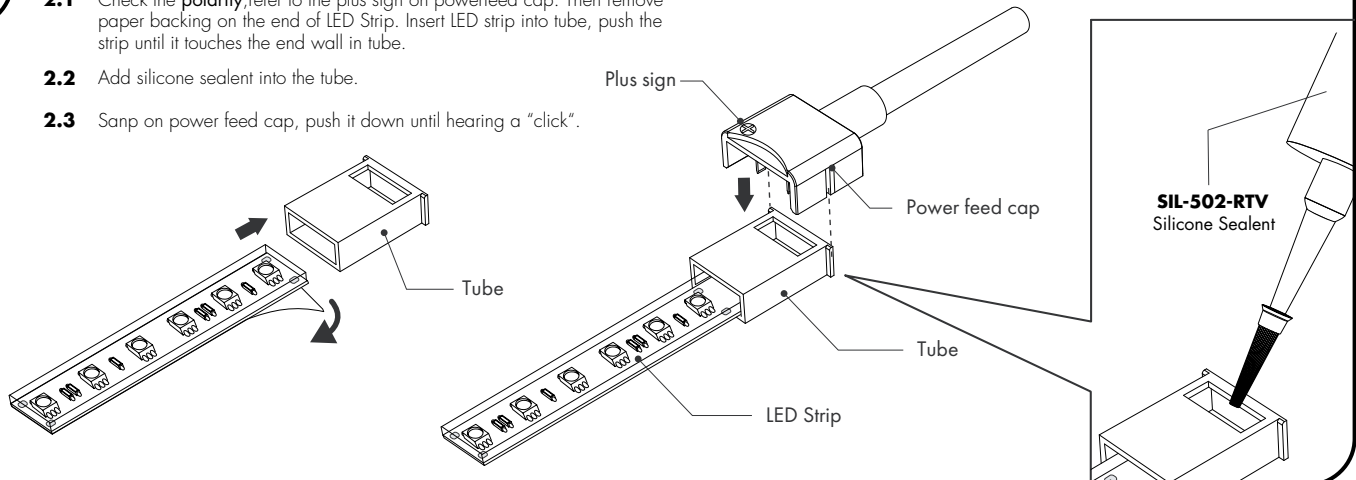
B basics
by luminii

7777 Merrimac Ave
Niles, IL 60714
T 224.333.6033
F 224.757.7557
info@luminii.com
www.luminii.com

2

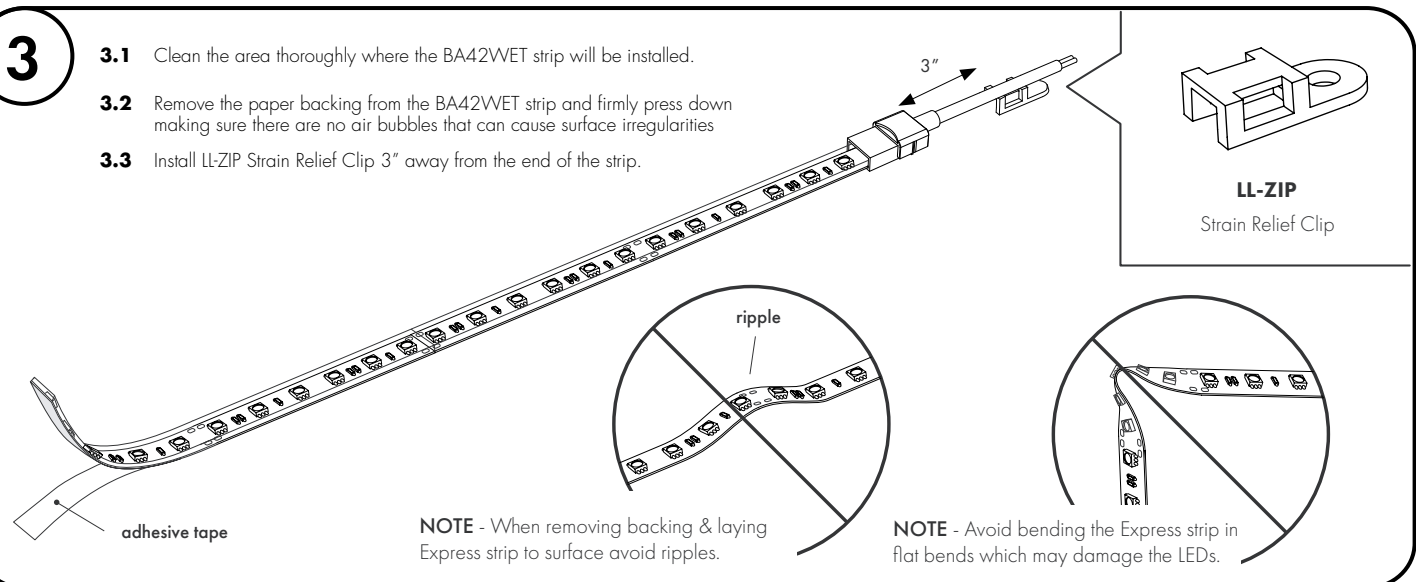
Connector

- 2.1 Check the **polarity**, refer to the plus sign on powerfeed cap. Then remove paper backing on the end of LED Strip. Insert LED strip into tube, push the strip until it touches the end wall in tube.
- 2.2 Add silicone sealant into the tube.
- 2.3 Snap on power feed cap, push it down until hearing a "click".



3

- 3.1 Clean the area thoroughly where the BA42WET strip will be installed.
- 3.2 Remove the paper backing from the BA42WET strip and firmly press down making sure there are no air bubbles that can cause surface irregularities
- 3.3 Install LL-ZIP Strain Relief Clip 3" away from the end of the strip.



NOTE - When removing backing & laying Express strip to surface avoid ripples.

NOTE - Avoid bending the Express strip in flat bends which may damage the LEDs.

Installation Instructions for Basics

Models BA42WET

Please read all instructions prior to installation and keep for future reference!

1. Product should be installed by a qualified electrician.
2. Prior to installation ensure power is off at fuse box to prevent electrical shock.
3. Use only with Class 2 power unit. Utiliser seulement avec Classe 2 unite d'alimentation électrique.
4. Suitable for wet Locations. Convient Aux Emplacements Humides.
5. For under-cabinet or shelf mount.
6. Conforms to UL STD 2108. Certified to CSA STD C22.2 No.250.0.



REVO.1
02222024

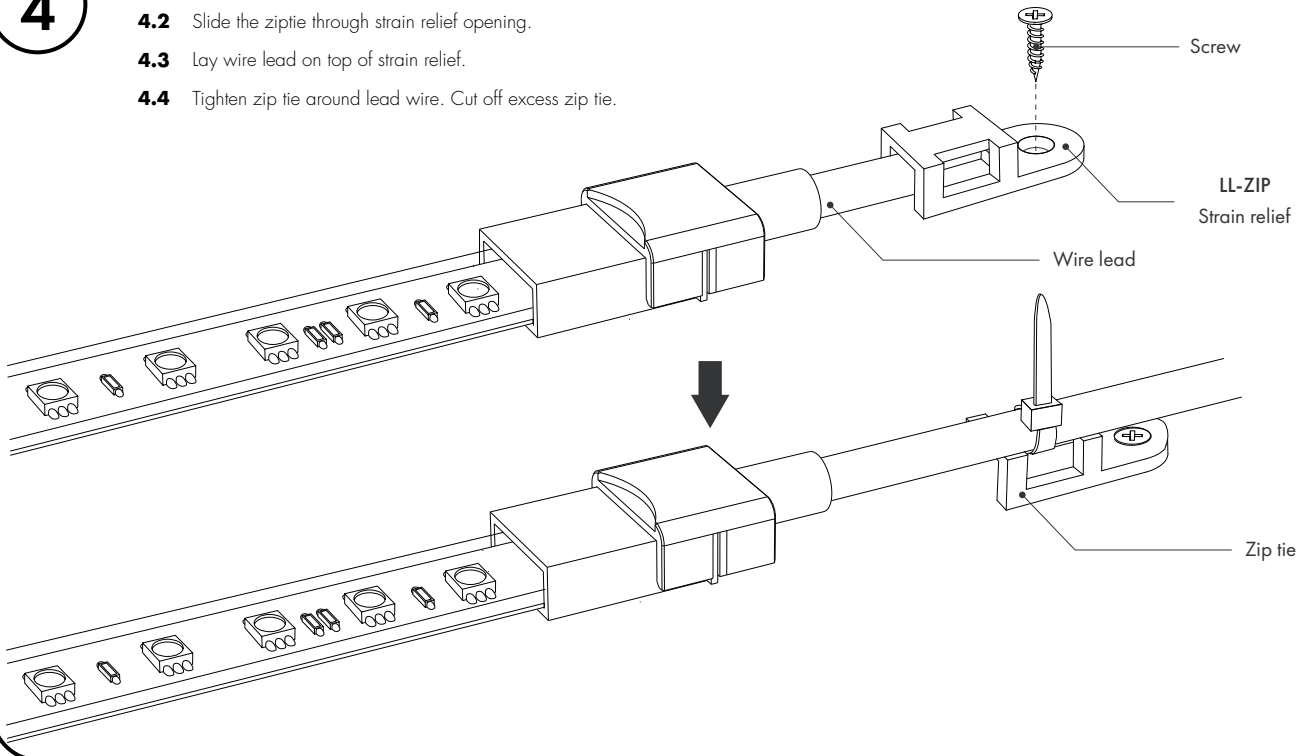
6 / 7

B basics
by luminii

7777 Merrimac Ave
Niles, IL 60714
T 224.333.6033
F 224.757.7557
info@luminii.com
www.luminii.com

4

- 4.1 Place the strain relief in desired place. Make sure it is 3" away from the end of the strip.
- 4.2 Slide the zip tie through strain relief opening.
- 4.3 Lay wire lead on top of strain relief.
- 4.4 Tighten zip tie around lead wire. Cut off excess zip tie.



Installation Instructions for Basics

Models BA42WET

Please read all instructions prior to installation and keep for future reference!

1. Product should be installed by a qualified electrician.
2. Prior to installation ensure power is off at fuse box to prevent electrical shock.
3. Use only with Class 2 power unit. Utiliser seulement avec Classe 2 unite d'alimentation electrique.
4. Suitable for wet Locations. Convient Aux Emplacements Humides.
5. For under-cabinet or shelf mount.
6. Conforms to UL STD 2108. Certified to CSA STD C22.2 No.250.0.



REVO.1
02222024

7 / 7

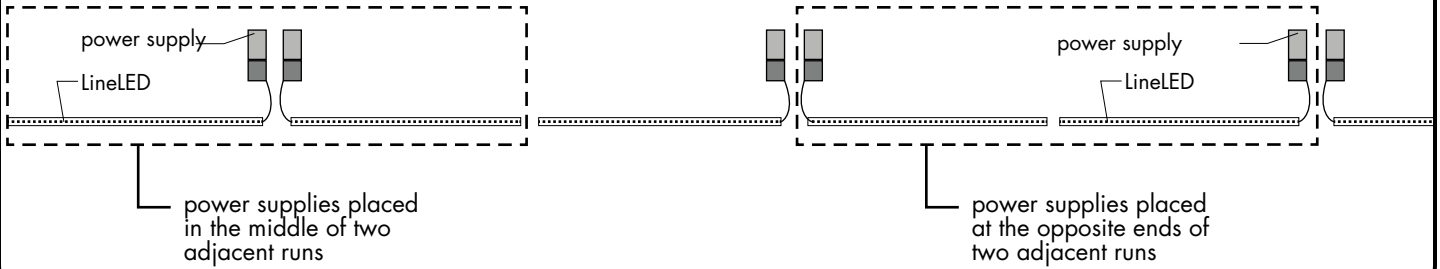
B basics
by luminii

7777 Merrimac Ave
Niles, IL 60714
T 224.333.6033
F 224.757.7557
info@luminii.com
www.luminii.com

3

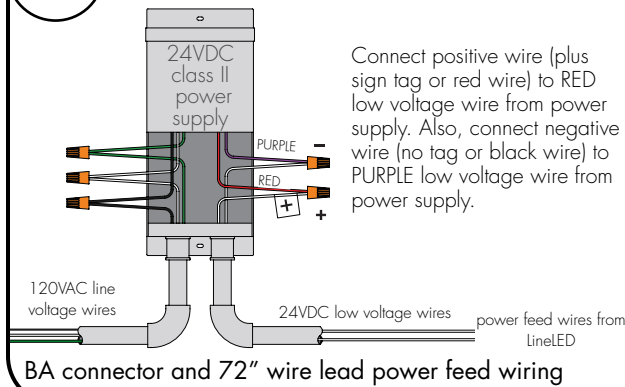
RECOMMENDED LAYOUT FOR MULTIPLE ADJACENT RUNS OF LINELED FED WITH SEPARATE POWER SUPPLIES

Position power supplies either in the middle of two runs or at the opposite ends.



4

Always ensure power to power supply is off! Follow diagrams to connect power feed wires to power supply. Refer to power supply instructions for wiring line voltage side.



OR

