

# Myka Recessed Trimmed - Installation Instructions

Models MKR-XX

**Please read all instructions prior to installation and keep for future reference!**

1. PRODUCT TO BE INSTALLED BY A QUALIFIED ELECTRICIAN.
2. USE ONLY WITH CLASS 2 POWER UNIT.
3. 24 VOLTS DC.
4. SUITABLE FOR DAMP LOCATIONS.
5. SUITABLE FOR INSTALLATION WITHIN THE CLOSET STORAGE SPACE WHEN USED WITH TAPE OUTPUTS 5.7W/FT OR LESS.
6. TYPE IC (CEILING & WALL).
7. SUITABLE FOR GROUND MOUNTED-RECESSED, ACCESS ABOVE CEILING REQUIRED.

PLENUM FOR  
SUCH USE IN  
ACCORDANCE  
WITH UL2043

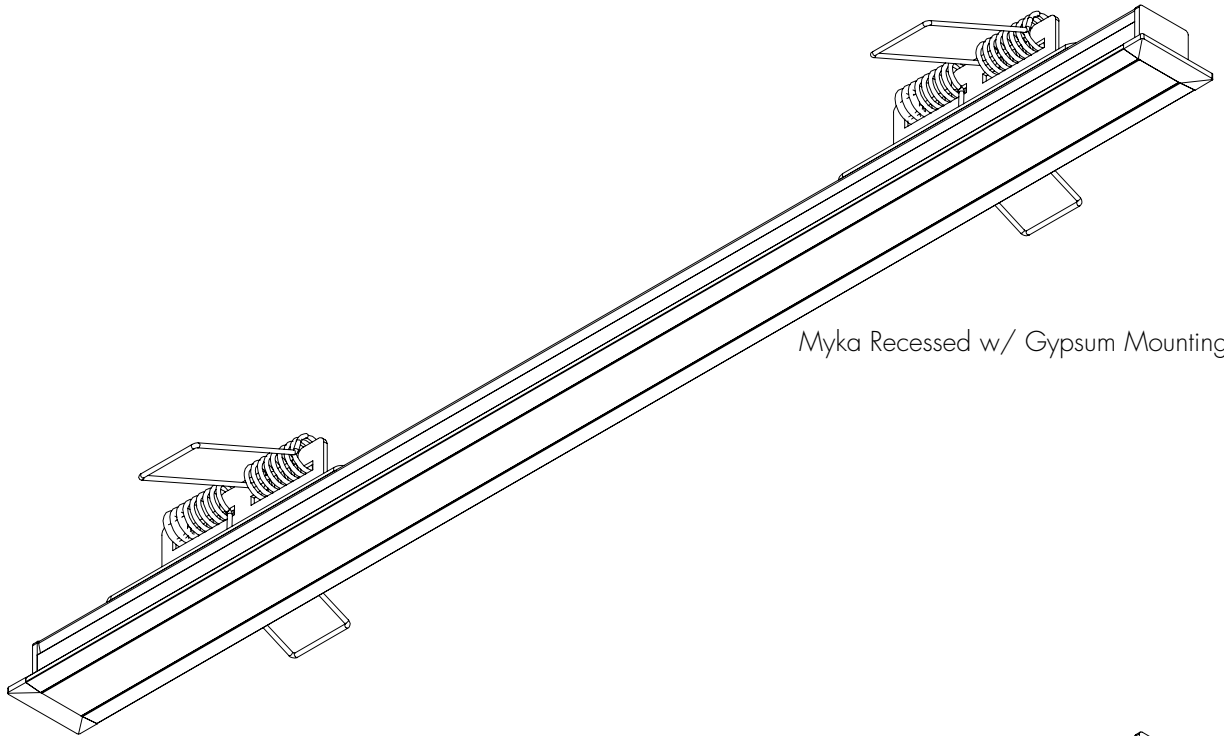


REVO.3  
03082024

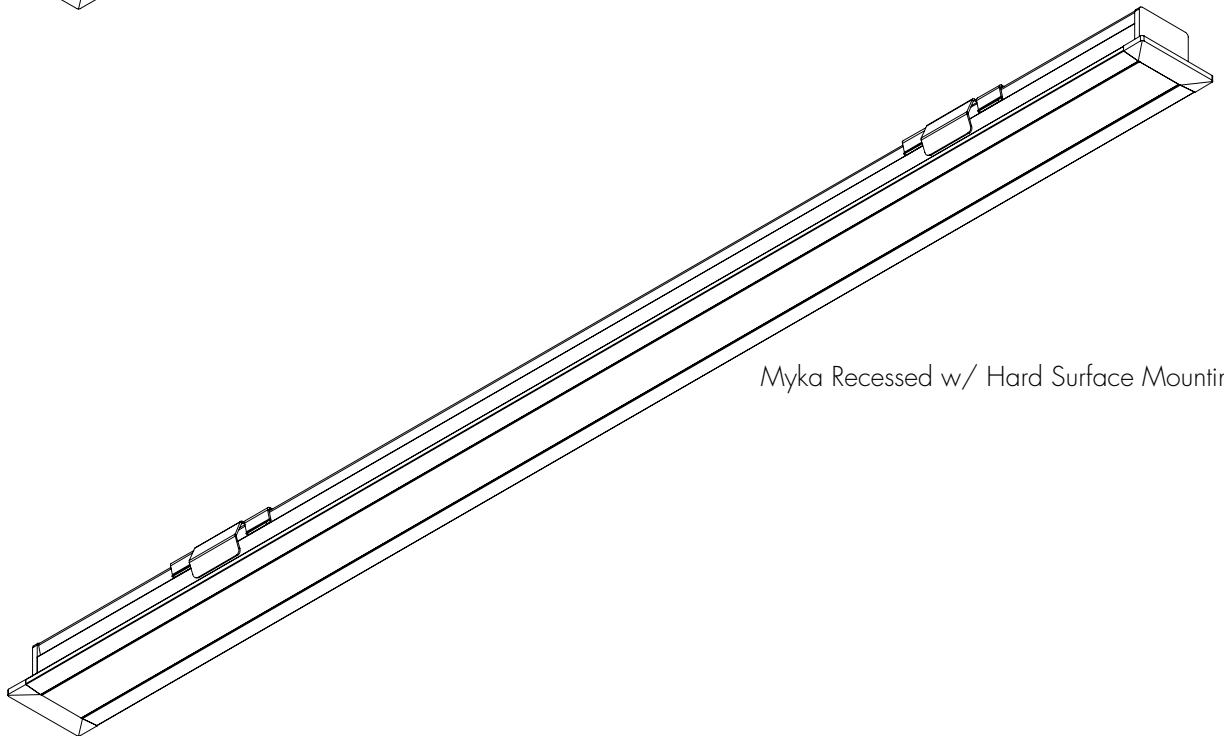
1 / 4



7777 Merrimac Ave  
Niles, IL 60714  
T 224.333.6033  
F 224.757.7557  
info@luminii.com  
www.luminii.com



Myka Recessed w/ Gypsum Mounting



Myka Recessed w/ Hard Surface Mounting

# Myka Recessed Trimmed - Installation Instructions

Models MKR-XX



7777 Merrimac Ave  
Niles, IL 60714  
T 224.333.6033  
F 224.757.7557  
info@luminii.com  
www.luminii.com

Please read all instructions prior to installation and keep for future reference!

1. PRODUCT TO BE INSTALLED BY A QUALIFIED ELECTRICIAN.
2. USE ONLY WITH CLASS 2 POWER UNIT.
3. 24 VOLTS DC.
4. SUITABLE FOR DAMP LOCATIONS.
5. SUITABLE FOR INSTALLATION WITHIN THE CLOSET STORAGE SPACE WHEN USED WITH TAPE OUTPUTS 5.7W/FT OR LESS.
6. TYPE IC (CEILING & WALL).
7. SUITABLE FOR GROUND MOUNTED-RECESSED, ACCESS ABOVE CEILING REQUIRED.

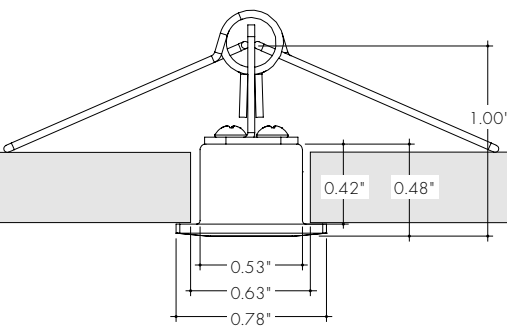
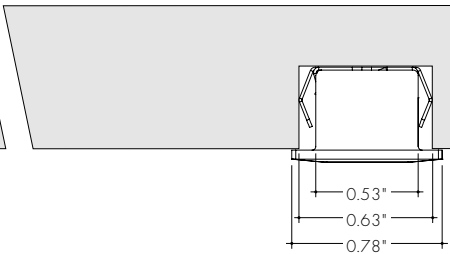
PLENUM FOR SUCH USE IN ACCORDANCE WITH UL2043

REVO.3  
03082024

2 / 4

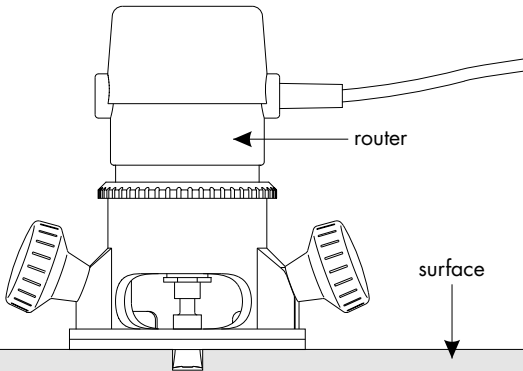
1

**Note:** The fixtures can be installed in various mounting materials. As long as the recessed depth is considered as shown below. These light fixtures can be installed in a up or down position. Reference specific model for accurate dimensions.

**1.1** On the left is the Myka Recessed with the Gypsum Mounting spring brackets. On the right is the Myka Recessed with the Hard Surface Mounting brackets.

2

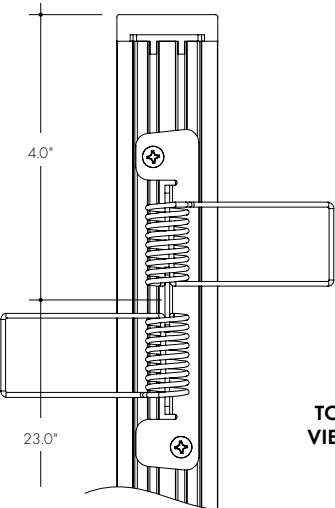


**2.1** Route slots onto the surface with the proper width and depth to accommodate aluminum extrusion. Use drawing above as reference.

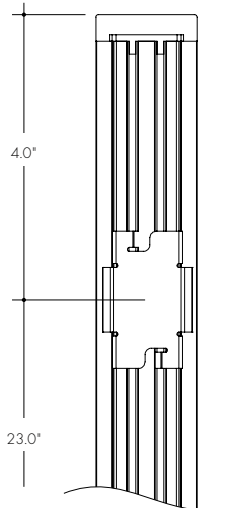
3

**3.1 For mounting bracket options only:**  
Prior to installing the fixture, slide the mounting brackets on the back of the fixture. To evenly distribute the weight of the fixture.

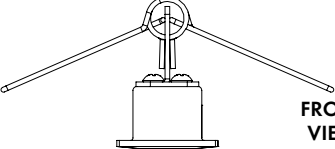
**soft surface mounting bracket,**  
such as drywall, plaster



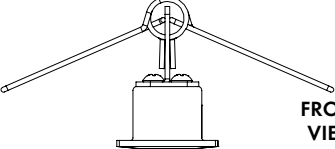
**hard surface mounting bracket,**  
such as wood, stone, tile



**TOP VIEW**



**FRONT VIEW**



# Myka Recessed Trimmed - Installation Instructions

Models MKR-XX



7777 Merrimac Ave  
Niles, IL 60714  
T 224.333.6033  
F 224.757.7557  
info@luminii.com  
www.luminii.com

Please read all instructions prior to installation and keep for future reference!

1. PRODUCT TO BE INSTALLED BY A QUALIFIED ELECTRICIAN.
2. USE ONLY WITH CLASS 2 POWER UNIT.
3. 24 VOLTS DC.
4. SUITABLE FOR DAMP LOCATIONS.
5. SUITABLE FOR INSTALLATION WITHIN THE CLOSET STORAGE SPACE WHEN USED WITH TAPE OUTPUTS 5.7W/FT OR LESS.
6. TYPE IC (CEILING & WALL).
7. SUITABLE FOR GROUND MOUNTED-RECESSED, ACCESS ABOVE CEILING REQUIRED.

PLENUM FOR SUCH USE IN ACCORDANCE WITH UL2043

REVO.3  
03082024

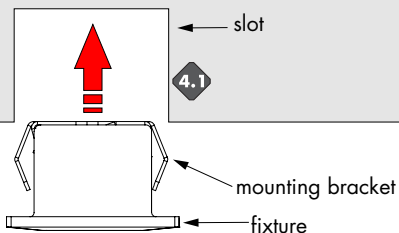
3 / 4

4

**Note:** Fixture wires must be considered, prior to installing. Reference wiring diagram for additional information on step 5.

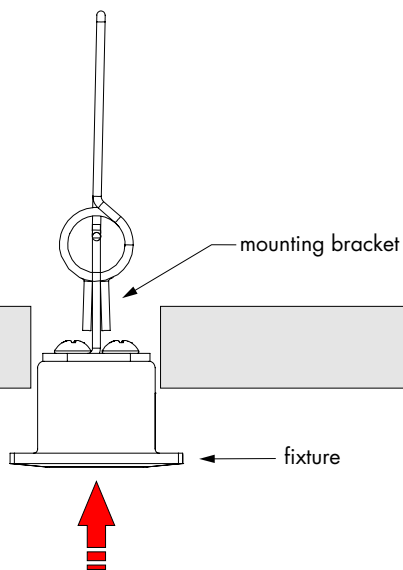
**Note:** Follow one of the two mounting options, to properly install fixture.

**HS mounting:**  
Hard surface  
mounting bracket



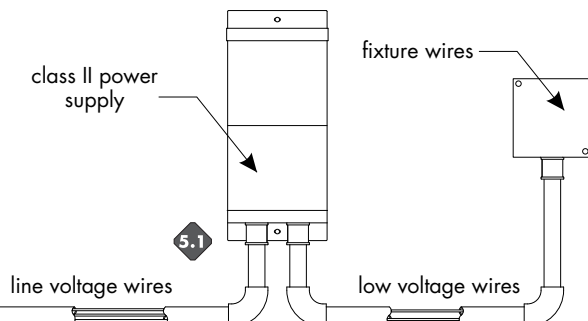
**4.1** For hard surface mounting bracket option: Align the mounting brackets to the cutout slot, then carefully push the fixture completely inside to the slot to secure.

**GS mounting:**  
Gypsum surface  
mounting bracket



**4.2** For soft surface mounting bracket option: Bend the adjustable springs to a straight position, followed by pushing the fixture completely inside the cutout slot. Then release the springs to secure.

5



**5.1** Ensure the correct (wattage & voltage) power supply is used to power the fixture. Then proceed to connect the fixture wires from fixture to the power supply. For more information please refer to power supply wiring instructions.

# Myka Recessed Trimmed - Installation Instructions

Models MKR-XX

Please read all instructions prior to installation and keep for future reference!

1. PRODUCT TO BE INSTALLED BY A QUALIFIED ELECTRICIAN.
2. USE ONLY WITH CLASS 2 POWER UNIT.
3. 24 VOLTS DC.
4. SUITABLE FOR DAMP LOCATIONS.
5. SUITABLE FOR INSTALLATION WITHIN THE CLOSET STORAGE SPACE WHEN USED WITH TAPE OUTPUTS 5.7W/FT OR LESS.
6. TYPE IC (CEILING & WALL).
7. SUITABLE FOR GROUND MOUNTED-RECESSED, ACCESS ABOVE CEILING REQUIRED.

PLENUM FOR SUCH USE IN ACCORDANCE WITH UL2043



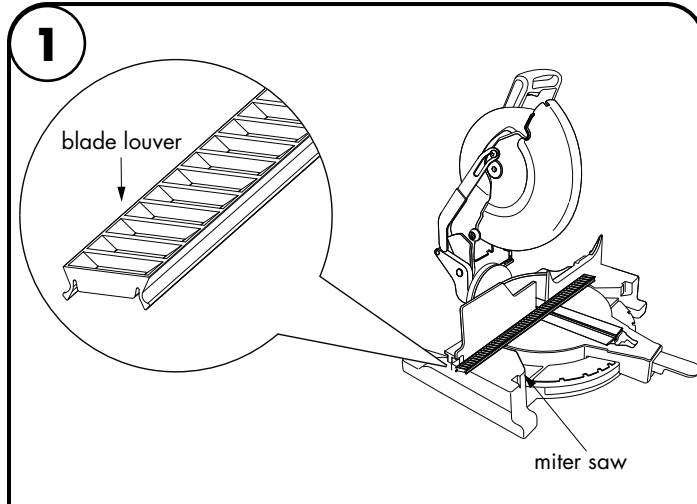
REVO.3  
03082024

4 / 4

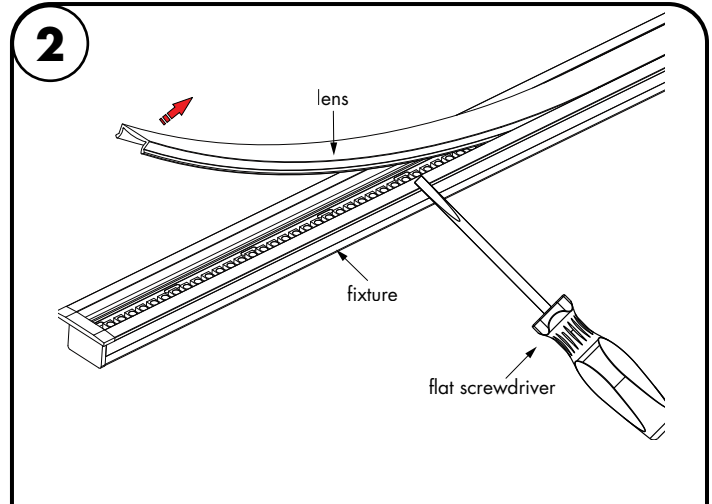


7777 Merrimac Ave  
Niles, IL 60714  
T 224.333.6033  
F 224.757.7557  
info@luminii.com  
www.luminii.com

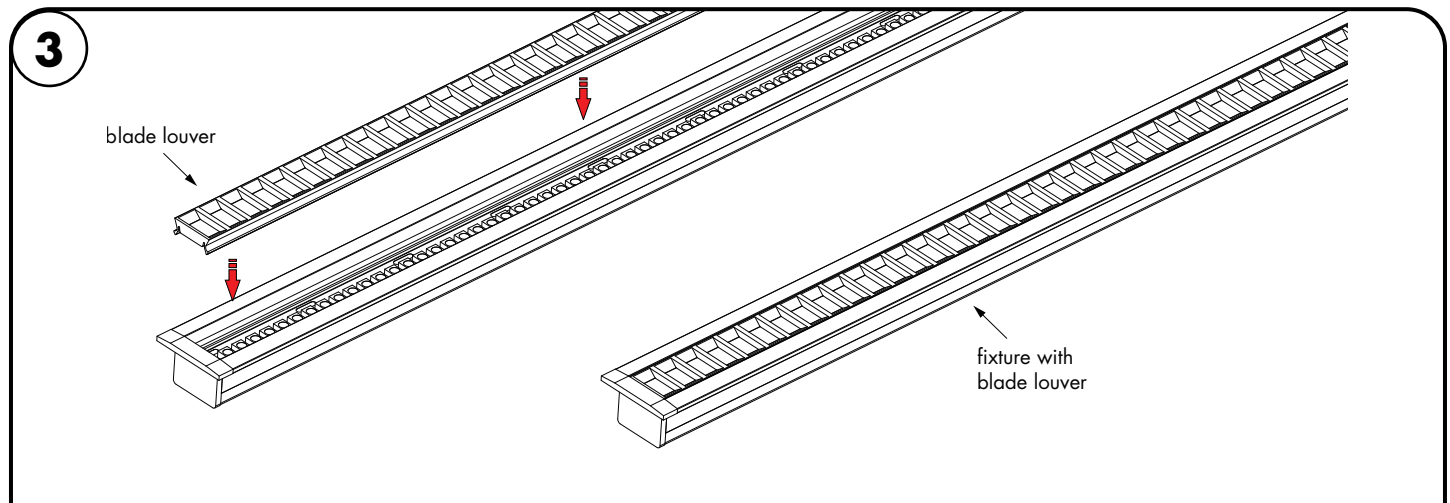
## Blade Louver Installation



- 1.1** Use miter saw to cut the blade louver into desired length. Make sure blade louver and fixture lens are the same length.



- 2.1** Use a flat screwdriver to remove the fixture lens.



- 3.1** Snap the blade louver onto fixture.